

Patents, Designs, and Trade Marks

SUPPLEMENT

TO THE

NEW ZEALAND GAZETTE

OF

THURSDAY, APRIL 21, 1910.

Published by Authority.

WELLINGTON, THURSDAY, APRIL 21, 1910.

CONTENTS.

	Page
International and Intercolonial Arrangements for the Mutual Protection of Patents and Trade Marks ..	1263
Notice <i>re</i> Holiday	1264
Applications for Letters Patent filed	1264
Complete Specifications filed after Provisionals ..	1265
Complete Specifications accepted	1265
Provisional Specifications accepted	1269
Letters Patent sealed	1269
Letters Patent on which Fees have been paid ..	1269
Subsequent Proprietor of Letters Patent registered	1269
Request to amend Specification allowed	1269
Requests for Correction of Clerical Errors	1269
Application for Letters Patent refused	1269
Applications for Letters Patent abandoned ..	1270
Application for Letters Patent void	1270
Applications for Letters Patent lapsed	1270
Letters Patent void	1270
Applications for Trade Marks filed	1270
Applications for Registration of Trade Marks ..	1271
Trade Marks registered	1274
Trade Mark Renewal Fees paid	1274
Subsequent Proprietor of Trade Marks registered ..	1274
Trade Marks removed from the Register	1274
Application for Trade Mark withdrawn	1274
Applications for Trade Marks abandoned or refused	1274
Requests for Amendment of Trade Marks Applications allowed	1274
Quarterly List of Inventors	1275
Quarterly List of Inventions	1282
Quarterly List of Applicants for Trade Marks ..	1288
Quarterly List of Applicants for Designs	1290

International and Intercolonial Arrangements for the Mutual Protection of Patents and Trade Marks.

INTERNATIONAL CONVENTION.

THE following countries now belong to the Convention :—

Australia.	Italy.
Austria-Hungary.	Japan.
Belgium.	Mexico.
Brazil.	New Zealand.
Ceylon.	Norway.
Cuba.	Portugal, with the Azores and
Denmark and Faroe Islands.	Madeira.
Dominican Republic.	Servia.
France, with Algeria and	Spain.
Colonies.	Sweden.
Germany.	Switzerland.
Great Britain.	Tunis.
Holland, with East Indian	United States of America.
Colonies, Curaçoa, and	
Surinam.*	

* Trade marks only.

Separate arrangements have been made between Australia and New Zealand.

Particulars of the Convention and of such arrangements may be seen in the following *Gazettes* :—

Notification of adhesion of New Zealand to the Convention, with text thereof (in English), in the *Gazette* of 26th November, 1891; notification of adherence of New Zealand to the Additional Act of the Convention, with text (in English) of such Additional Act, in Patents Supplement to *Gazette* No. 101, of the 16th November, 1905; Order in Council applying section 103 of the Imperial Act to New Zealand, in *Gazette* No. 27, of the 15th May, 1890; Orders in Council containing arrangements between Australia and New Zealand, in Patent Supplements to the *Gazette* Nos. 22, of the 9th March, 1905, and 38, of the 20th April, 1905.

Celebration of St. George's Day.

Office of the Minister of Internal Affairs,
Wellington, 13th April, 1910.

THE Government offices throughout the Dominion will be closed on Saturday, the 23rd April, 1910, being St. George's Day.

D. BUDDO,
Minister of Internal Affairs.

Applications for Letters Patent filed.

LIST of applications for Letters Patent filed. (Where a complete specification accompanies an application an asterisk is affixed; in all other cases a provisional specification has been lodged. In all cases where the applicant is not the inventor the name of the latter appears in italics in brackets. † Denotes an application under the International and Intercolonial Arrangements.)

White, E. B., Chicago, U.S.A.	Locomotive-boiler washing, &c.*; 27511; 15th September 1909.†
Peake, H. de L., Leamington, N.Z.	Milking-machine-cup cap; 27512; 2nd April.
Bedell, W., Christchurch, N.Z.	Swimming-teaching method; 27513; 4th April.
Daysh, N. J., Carterton, N.Z.	Milking-machine pulsator; 27514; 2nd April.
McLeod, W., Wanganui, N.Z.	Seat, collapsible*; 27515; 5th April.
Simpson, H., Auckland, N.Z.	Pudding-steamer; 27516; 2nd April.
McLennan, A., London, Eng.	Leather-treatment*; 27517; 26th April, 1909.†
Brennan, L., Gillingham, Eng.	Monorail vehicle, imparting and maintaining stability to 27518; 6th April.
American Box Ball Company, Indianapolis, U.S.A. (Holcomb, J. I., Talbert, D. H., Shaw, C., and Hoke, J. F., jun.)	Amusement-apparatus*; 27519; 2nd April.
Haultain, H. E. T., Toronto, Canada..	Ore, metallic oxide reduction*; 27520; 2nd April.
Moffat, J. W., Toronto, Canada	Ore, metallic oxide reduction*; 27520; 2nd April.
White, H. H., Brookline, U.S.A.	Automobile wind-shield*; 27521; 2nd April.
Pierce, W. S., Seattle, U.S.A.	Explosive; 27522; 6th April.
Le Roy, E., Devonport, N.Z.	Sail and sail-setting; 27523; 5th April.
Arbuckle, A. J., Belgravia, Trans.	Ore-treatment*; 27524; 7th April.
Cambridge, A. S., Christchurch, N.Z.	Gas-producing*; 27525; 7th April.
Smith, C. A., Wellington, N.Z.	Washing-machine; 27526; 8th April.
Simonsen, C., Matakana, N.Z.	Waterproof coating, for leather, wood, &c.; 27527; 8th April.
Simonsen, C., Matakana, N.Z.	Waterproof solution, for textile fabrics; 27528; 8th April.
Melville, C. Blenheim, N.Z.	Gate-controller; 27529; 8th April.
Chambers, R., Takapuna, N.Z.	Swimming-teaching apparatus; 27530; 8th April.
Banks, L., Auckland, N.Z.	Box, collapsible*; 27531; 8th April.
Warnock, J. A., Auckland, N.Z.	Box, collapsible*; 27531; 8th April.
McFadden, J., Edendale, N.Z.	Milking-appliance; 27532; 9th April.
Adams, H., Edendale, N.Z.	Milking-appliance; 27532; 9th April.
Wheeler, F. C., Lower Hutt, N.Z.	Fire-hose coupling; 27533; 9th April.
Milne, W., Hawera, N.Z.	Spoon clip or holder; 27534; 11th April.
Worms, L. S., Birkenhead, N.Z.	Bottle-clip capsule; 27535; 11th April.
Prescott, T., Birkenhead, N.Z.	Bottle-clip capsule; 27535; 11th April.
Haines, W. C., Wellington, N.Z.	Rotary engine; 27536; 11th April.
Green, C. J., Fairfax, N.Z.	Spark-extinguisher; 27537; 11th April.
Shadgett, E., Wellington, N.Z.	Beverage; 27538; 11th April.
Ryland, T. J. F., London, Eng.	Pulley, expanding*; 27539; 12th April.
Louis, E. S., London, Eng.	Pulley, expanding*; 27539; 12th April.
Waller, W., London, Eng.	Tins and other sheet-metal articles manufacture*; 27540; 12th April.
Moore, F. W. J., London, Eng.	Tins and other sheet-metal articles manufacture*; 27540; 12th April.
Denton, G. R., London, Eng.	Coin sorting and distributing apparatus*; 27541; 16th April, 1909.†
Boorne, W. H., London, Eng.	Rubber, &c., stamp*; 27542; 12th April.
Tait, A. L. J., Dunedin, N.Z.	Flax-treatment; 27543; 9th April.
Bell, H. N., Rosebrook, Vic.	Milk-treating apparatus; 27544; 9th April.
Brown, J., Waihi, N.Z.	Stud, steel rubber; 27545; 11th April.
Lawrence, W. H., Pollokshields, Scot.	Teat-cup*; 27546; 11th April.
Kennedy, R., Glasgow, Scot. (Lane, F. A.)	Teat-cup*; 27546; 11th April.
Graham, A. V., Linwood, N.Z.	Aerated water; 27547; 13th April.
Barnewell, N., Townsville, Q.	Scrub-destroyer*; 27548; 13th April.
Partington, A. E., Sydney, N.S.W.	Electrical-circuit cutout*; 27549; 13th April.
Shepherd, W. A., Granville, N.S.W.	Door-stop*; 27550; 13th April.
Anderson, G. E., Stockholm, Sweden	Milking-apparatus*; 27551; 13th April.
Lees, C. A., Christchurch, N.Z.	Rifle-muzzle movement-restriction; 27552; 9th April.
Lees, A. H. C., Christchurch, N.Z.	Rifle-muzzle movement-restriction; 27552; 9th April.
Field, T. C., Christchurch, N.Z.	Rifle-muzzle movement-restriction; 27552; 9th April.
Hutchinson, G., Christchurch, N.Z.	Seed-sower; 27553; 9th April.
Paton, D. M., Melbourne, Vic.	Envelope; 27554; 14th April.
Williams, C. N. H. B., Orepuki, N.Z.	Driving-gear for screw-propelled vessels, &c.; 27555; 12th April.
Williams, A. H., Hyde Park, S. Aust.	Incandescent-mantle manufacture*; 27556; 14th April.
Jonas, S., Clifton Hill, Vic.	Carburetter*; 27557; 23rd June, 1909.†

Complete Specifications filed after Provisionals.

LIST of complete specifications filed after provisional specifications, from the 1st to the 15th April, 1910, inclusive:—

- No. 26027.—G. Craw, flax-treatment.
 No. 26140.—J. V. Coleman, metal, &c., recovery.
 No. 26179.—H. B. Tucker, scaling fish.
 No. 26209.—W. T. Hall and J. E. Wheeler, water-sprayer.
 No. 26214.—R. E. Finch and R. S. and A. Newcomb, pan-closet disinfecting.
 No. 26391.—T. Parker, coal-distillation.
 No. 26437.—F. S. Cooze, ventilator.
 No. 26700.—C. V. Roberts, game.
 No. 26706.—G. H. Lindstrom, tanning.
 No. 26758.—W. B. Topp, spouting-bracket.

Notice of Acceptance of Complete Specifications.

Patent Office,

Wellington, 20th April, 1910.

COMPLETE specifications relating to the undermentioned applications for Letters Patent have been accepted, and are open to public inspection at this office. Any person may, at any time within two months from the date of this *Gazette*, give me notice in writing of opposition to the grant of any such patent. Such notice must set forth the particular grounds of objection, and be in duplicate. A fee of 10s. is payable thereon.

The copies of claims and extracts from the specifications and drawings are merely intended to give some further indication of the invention than is disclosed in the title, and the complete specifications and drawings should be referred to for a description of the invention.

No. 25727.—16th November, 1908.—WILLIAM SPEIRS SIMPSON and HOWARD OVIATT, both of 165 Victoria Street, London, England, Engineers. Improvements in the direct production of iron from the ore.

[NOTE.—This is an application under the International and Inter-colonial Arrangements, the date given being the official date of the application in the United States of America.]

Claims.—(1.) The method or process of reducing iron-ores to metal, which involves the preparation of an ore-charge containing (a) a suitable ore in a fine or a comparatively fine state of division, (b) an efficient carbo-hydrate reducing-agent of a saccharine or starchy character, associated with sufficient water to bring the same into intimate contact with the particles of ore under treatment, and (c) suitable finely ground slagging or fluxing materials to form a liquid slag under heat, which ore-charge is then subjected to a heat sufficient to effect the reduction of the ore and the separation and purification of the metal. (2.) As an improvement in the method of reducing iron-ores to metal, the employment of carbo-hydrates, or carbonaceous compounds of a saccharine or starchy character in which suitable carbo-hydrates predominate, in intimate association with the ores under treatment and in adequate quantities to effect the reduction thereof. (3.) As an improvement in the method or process of reducing iron-ores to metal, the employment of water and a suitable carbo-hydrate, or carbo-hydrate compound of a saccharine or starchy character, in quantities and under conditions effective to produce the desired result.

(Specification, 5s. 6d.)

No. 25728.—16th November, 1908.—WILLIAM SPEIRS SIMPSON and HOWARD OVIATT, both of 165 Victoria Street, London, England, Engineers. Improvements in the direct production of steel from the ore.

[NOTE.—This is an application under the International and Inter-colonial Arrangements, the date given being the official date of the application in the United States of America.]

Claims.—(1.) The method or process of manufacturing steel directly from ore, which involves the preparation of an ore-charge containing (a) suitable ore in a fine or a comparatively fine state of division, (b) a carbo-hydrate reducing-agent of a saccharine or starchy nature associated with sufficient water to bring the same into intimate contact with the

particles of ore under treatment, (c) a finely ground carburising carbon in proportions adequate to effect the carburisation required, and a suitable quantity of manganese-dioxide, both thoroughly mixed with the ore-charge, and (d) suitable slagging or fluxing materials to form, under heat, a liquid slag, which ore-charge is subjected to a heat sufficient to effect the reduction, purification, and carburisation of the metal at one operation, under the conditions and in the manner substantially as hereinbefore set forth. (2.) As an improvement in the production of steel directly from iron-ores, the employment of suitable carbo-hydrates, or carbonaceous compounds of a saccharine or starchy nature in which carbo-hydrates predominate, in intimate association with the ores under treatment and in adequate quantities, to act as reducing-agents in effecting the desired result. (3.) As an improvement in the art of producing steel directly from iron-ores, the employment of water and a suitable carbo-hydrate, or carbo-hydrate compound of a saccharine or starchy nature, in quantities and under conditions effective to produce the desired result. (4.) The described improvement in the art of manufacturing steel directly from iron-ore whereby the carburisation thereof may be so effected and controlled that a uniform quality of steel containing any desired percentage of combined carbon may be produced; by associating an adequate carbo-hydrate reducing-agent of a saccharine or starchy nature and an effective carburising carbon in a suitably prepared ore-charge, and subjecting the mixture to heat under the conditions, substantially as set forth. (5.) In a method or process of producing steel directly from iron-ores, the association of a suitable carbo-hydrate reducing-agent of a saccharine or starchy nature with an adequate quantity of manganese-dioxide, to effect the reduction of such ores and the purification of the metal whilst being converted into steel.

(Specification, 8s.)

No. 25810.—1st April, 1909.—WILLIAM MORRIS, of Greymouth, New Zealand, Sawmiller, and WILLIAM PERCY HAMBLETON, of Greymouth aforesaid, Engineer. An improved water-jacket furnace.*

Extract from Specification.—According to this invention, the jackets surrounding the furnace are made in sections—two sides and one back—fastened together by suitable connections. The flat surfaces of jackets are stayed to allow of the same working-pressure as the boiler. The sections can be detached from each other, also from boiler, to allow of easy means of transport. At the bottom of each jacket is a connection to the bottom of the boiler, and from the top to body of boiler.

[NOTE.—The above extract from the specification is inserted in place of the claims.]

(Specification, 1s. 9d.)

No. 25811.—8th April, 1909.—CHARLES LOOMES, of 76 Majoribanks Street, Wellington, New Zealand, Clerk. An invention for carrying small-arms ammunition (by soldiers, sportsmen, and others), combined with rapid and convenient delivery of same.*

Claims.—(1.) The carrying of small-arms ammunition (by soldiers, sportsmen, and others), combined with rapid and convenient delivery of same, by means of a pouch-carrying belt revolving or travelling at the will of the wearer upon a base or body belt, substantially as described. (2.) A revolving belt, having attached thereto pouches, clips, or loops to hold ammunition, on a base or body belt having turned or flanged edges to retain the aforesaid revolving belt in position and yet permit of its being easily drawn around or revolved at will of the wearer. (3.) A base or body belt having turned or flanged edges acting as guides, in combination with a band or belt of metal or other material, and so constructed as to permit such band or belt to be placed under the turned or flanged edges or guides of the base or body belt, and be drawn around or revolved at the will of the wearer.

(Specification, 2s. 6d.)

No. 25818.—6th April, 1909.—CHARLES SUTTIE, of Waiarapa, New Zealand, Flax-miller, and MONTAGUE HARRISON WYN-YARD, of Auckland, New Zealand, Solicitor. Improvements in flax-dressing machinery.*

Claims.—(1.) Two front rollers, located in front of the two feeder-rollers of a stripper, of which one only is driven, and the other free and out of contact so that it is only revolved when the flax-butt is placed between such two rollers, and having a stud affixed thereto, and after revolving a certain

distance operating by means of such stud a trip to put a mechanical "catcher" in gear, and weighted or spring-tensioned so that when the flax-butt has passed through such free roller will return to its original position, substantially as and for the purposes described. (2.) The combination described in claim 1, but having a segment of a roller in lieu of the free roller, substantially as and for the purposes described. (3.) In connection with apparatus for operating a mechanical flax-catcher means for setting the same in motion, consisting in utilising the rise of the compression-roller of a set of two front rollers located in front of the ordinary feed-rollers of a stripper, and of which one at least is driven, substantially as described and indicated. (4.) A comb having fine closely set teeth located in front of the feed-rollers of a stripper above or below the run of the flax-blades as carried through by such rollers, and operated so as to pierce such blades near the tail thereof and comb such tails, and afterwards return to its original position, substantially as and for the purposes described.

[NOTE.—Here follow three other claims.]

(Specification, 8s.)

No. 25837.—15th April, 1909.—PILADE BITOSSI, of Reuben Avenue, Brooklyn, Wellington, New Zealand, Pianoforte-tuner. An improved blotting-pad composition.*

Claim.—The improved blotting-pad composition consisting in the combination with plaster-of-paris and water of small quantities of nitric acid and lemon-juice, substantially as specified.

(Specification, 1s.)

No. 25905.—7th May, 1909.—J. B. MAC EWAN AND CO., LIMITED, a company duly incorporated under the Companies Act, of New Zealand, and carrying on business at Featherston Street, Wellington, in the Provincial District of Wellington, in the Dominion of New Zealand, Merchants (assignees of Archibald Burrell Robertson, of New Plymouth, New Zealand, Milking-machine Expert). Improvements in milking-machines.*

Claims.—(1.) Apparatus for preventing the contamination of milk by the return of air vapour or liquid to the milk-pail, consisting of the parts constructed, arranged, combined, and operating substantially as specified and illustrated in the drawing. (2.) In apparatus for the purpose indicated, the employment of a non-return valve interposed between the milk-pail and the vacuum-producing system, whereby vapour or liquid is prevented from passing into said pail from the vacuum-pipes, substantially as set forth and illustrated in the drawing. (3.) In apparatus for the purpose indicated, the employment of an independent chamber upon the top of a milk-pail and a non-return valve mounted therein, substantially as and for the purposes specified, and illustrated in the drawing. (4.) In apparatus for the purpose indicated, the employment of an independent chamber upon the top of a milk-pail, said chamber having an integrally formed baffle-plate, and being provided with a non-return valve, substantially as specified, and illustrated in the drawing.

(Specification, 3s. 6d.)

No. 25999.—31st May, 1909.—GEORGE ALBERT GAMMAN, of Ohakune, Wellington, New Zealand, Sawmiller. Improvements in the method of and apparatus for drying timber.*

Claims.—(1.) The method of drying timber, consisting in the submission of the timber to the initial action of steam-pressure, and to the subsequent action of dry heat, substantially as specified. (2.) The method of drying timber, consisting in the submission of the timber to the initial action of steam-pressure at a temperature of about 212 degrees Fahr., and to the subsequent action of dry heat at a temperature of from 120 to 150 degrees Fahr., substantially as specified. (3.) The improvements in the method of drying timber, substantially as described and explained.

(Specification, 2s. 3d.)

No. 26049.—9th June, 1909.—FRANK GEORGE GIBBS, of Halswell, New Zealand, Engine-driver, and WILLIAM JAMES BOWMAN, of Christchurch, New Zealand, Engineer. Improved means for use in sharpening the knives of chaff-cutters and the like.*

Extract from Specification.—According to this invention, the grinding-wheel is mounted between two discs or washers secured upon the end of a short spindle, which spindle is

loosely carried longitudinally within a short handle-sleeve. The wheel is thus adapted to rotate in a plane at right angles to the plane of the handle, and may thus be moved with ease into all the corners of the knives. The lower end of the spindle is connected to the flexible shafting in any approved manner, and preferably by means of gearing contained within a universal coupling-joint in the well-known style.

[NOTE.—The above extract from the specification is inserted in place of the claims.]

(Specification, 2s.)

No. 26179.—2nd July, 1909.—HENRY BRADBRIDGE TUCKER, of Palmerston North, New Zealand, Hotelkeeper. An improved appliance for scaling fish.*

Extract from Specification.—The appliance designed consists of a head or block of suitable material attached to a handle of suitable length and design. This block is formed with a rounded outer surface. Over this surface a metal plate is fixed, which plate is curved longitudinally, and has its two ends attached to the sides of the block. The two edges of this plate are formed with teeth or serrations, those on one edge being preferably finer than those on the other. The toothed edges of the plate thus project beyond the sides of the block, and by grasping the handle of the appliance these edges may be drawn over a fish to remove its scales.

[NOTE.—The above extract from the specification is inserted in place of the claims.]

(Specification, 1s. 6d.)

No. 26672.—1st October, 1909.—FRANCIS ARTHUR RICH, of Remuera, near Auckland, New Zealand, Engineer. An improved eye-piece for optical instruments.*

Claims.—(1.) The removing the cross-wires from the old position from within the telescope-tube at the focal point of the eye-piece to the position within the eye-piece at the focal point of the eye-lens, for the purpose set forth as described and illustrated. (2.) The locating the cross-wires at the position within the eye-piece at the focal point of the eye-lens, in the manner and for the purpose set forth as described and illustrated.

(Specification, 2s.)

No. 26952.—24th November, 1909.—CHARLES EDWARD HONEYFIELD, of Tataraimaka, Taranaki, New Zealand, Farmer. Improved teat-cup for milking-machines.*

Claims.—(1.) A teat-cup consisting of the parts constructed, arranged, combined, and operating, substantially as specified and illustrated in the drawings. (2.) A teat-cup comprising a rigid tubular casing surrounding a flexible lining, the ends of said lining being folded over the ends of said casing, a mouthpiece at one end and a cap at the other respectively clamped upon the turned-over portions of said flexible lining by a cap encircling the mouthpiece and connected to an eye-bracket operated upon by a wing-nut screwing upon an extension from said cap, substantially as specified and illustrated in the drawings. (3.) In a teat-cup of the nature indicated, the employment of the mouthpiece in combination with the means for clamping it in position, substantially as specified, and illustrated in the drawings. (4.) In a teat-cup of the nature indicated, the employment of an independent cap for closing the lower end of the teat-cup, said cap having a tubular extension and means by which said cap is clamped in position, substantially as specified, and illustrated in the drawings. (5.) In a teat-cup, the employment of a mouthpiece and cap severally independent and clamped in position upon opposite ends of the teat-cup, by means substantially as specified, and illustrated in the drawings.

(Specification, 2s. 6d.)

No. 27370.—28th February, 1910.—ARTHUR RAINSFORD CRADDOCK, of Christchurch, Canterbury, New Zealand, Engineer. An improved grip for flooring-cramps.

Claim.—In a flooring or similar cramp, the use on one or more of the surfaces which grip the side of the joist of a triangular-shaped bar or wedge instead of pointed studs, such wedge having its length in the direction of the length of the joist but inclined slightly downwards from front to back, so that in any backward movement of the frame the wedge will tighten the frame down on to the joist.

(Specification, 2s.)

No. 27376.—2nd March, 1910.—ERNEST SMITH BALDWIN, of the firm of Baldwin and Rayward, of 215 Lambton Quay, Wellington, New Zealand, Patent Attorneys (nominee of Charles Henry Augustus Frederick Lockhart Ross, Baronet, residing at Belnagown Castle, Ross-shire, Scotland, with temporary address at Quebec, Canada). Improvements in bullets.

Extract from Specification.—My invention relates to bullets for firearms, and has for its object the production of a sharp-nosed bullet that will readily open out upon striking the body of an animal, and thereupon produce an explosive or mushrooming effect, and will at the same time be not liable to have its point distorted during transportation or while in the magazine. To these ends my invention consists in a sharp-nosed bullet provided with a cavity, and a shell or tube filling said cavity, with a point, coming under the classification of what is known as a sharp-pointed bullet.

[NOTE.—The above extract from the specification is inserted in place of the claims.]

(Specification, 4s.)

No. 27429.—15th March, 1910.—CARL NEFF, of 19 Georgstrasse, Hanover, Germany, Banker, and AUGUST BRANDES, of 8 Hildesheimerstrasse, Hanover aforesaid, Mechanic. Improvements in and relating to the treatment of liquids.

Claim.—A method of treating liquids, and especially water, by the exposure of the water to the action of sunlight in passing over a surface of a metal such as aluminium, substantially as described.

(Specification, 1s. 6d.)

No. 27438.—15th March, 1910.—DR. WILHELM SCHMIDT, Engineer, of 2 Rolandstrasse, Cassel-Wilhelmshohe, Germany, and PETER THOMSEN, of Cassel-Wilhelmshohe aforesaid. Improvements in steam-superheaters for locomotives.

Extract from Specification.—The primary object of the present invention is to provide a superheater for locomotives which may be applied to any locomotive having smoke-tubes of normal diameter without having to substitute any tubes of abnormal diameter. With this object the present invention consists in a locomotive-superheater comprising a plurality of tube elements bent in the form of a U and inserted into the smoke-tubes of normal size, one end of each tubular element being connected directly or indirectly to a saturated steam-distributor, and the other end being similarly connected to a superheated steam-collector.

[NOTE.—The above extract from the specification is inserted in place of the claims.]

(Specification, 6s. 6d.)

No. 27441.—15th March, 1910.—HENRI DONNER, of Sophieka, 17 Log. 8, Moscow, Russia, Engineer. Improved process and apparatus for obtaining an increase in the pressure of a liquid.

Extract from Specification.—According to my invention, I insert in the pipe apparatus, comprising three or more compartments arranged in series. The first compartment is of constant capacity, and the pressure in it is always equal to that in the inlet-pipe; the third compartment is of a capacity which periodically increases and diminishes, and the pressure in it is a function of that in the first compartment, and also of a constant force; lastly, the second or equilibrium compartment can communicate with the other two compartments, and the pressure in it varies between that in the first and that in the third. Liquid—water for example—entering the first compartment at any pressure that it may have passes through the middle or equilibrium compartment to the third or high-pressure compartment, and issues therefrom at an increased pressure.

[NOTE.—The above extract from the specification is inserted in place of the claims.]

(Specification, 5s. 6d.)

No. 27450.—22nd March, 1910.—STANLEY TYNWALD GELLING, of Schoolhouse, Braddan, Isle of Man, Mining-engineer. Improvements in pumps.

Claim.—In balanced pumps of the kind, having two separate pumps connected up to work as a double-acting pump, forming each pump of two or more barrels or cylinders, the upper

barrels or cylinders each terminating in a vertical discharge-pipe arranged at one end of the pump, and the lower barrels or cylinders terminating in valve-boxes furnished with suction-valves, in combination with hollow plungers working in the cylinders or barrels connected together at one end and provided with discharge-valves in the turn or junction of such plungers, the said plungers being supported upon slippers or rollers sliding on a race provided and reciprocating in unison, substantially as described and shown.

(Specification, 3s. 6d.)

No. 27452.—22nd March, 1910.—GILBERT LANG, of 29 Aytoun Road, Pollokshields, Scotland, and MATTHEW McEWEN, of 10 Walmer Crescent, Paisley Road, Glasgow, Scotland, Solicitor and Traveller respectively. Improvements in sheet-metal saucepans and the like.

Extract from Specification.—Some of the objects of our invention are to make a sheet-metal saucepan which can be utilised for other purposes. With this object in view we make our improved saucepan with a metal handle, which can be removed from and applied at will to an air- and liquid-tight (cylindrical or other shaped) cheaply constructed pan which is free from any corrosible, raw, metal edge within it, or any internal groove or projection which might prevent its contents being fully extracted, and having a collar-part adapted to receive an ordinary air- and liquid-tight lever-lid, so that its contents may be preserved from deterioration and safely parcelled and carried when the lid is on; also that a quantity of such pans or their handles may be parcelled very compactly together for storage and transit.

[NOTE.—The above extract from the specification is inserted in place of the claims.]

(Specification, 4s. 9d.)

No. 27456.—23rd March, 1910.—CHARLES THOMAS SWANELL, of Melbourne, Victoria, Australia, Engineer. Improvements in smoke-consuming apparatus.

Claims.—(1.) In smoke-consuming apparatus of the class described, the employment of means for admitting and controlling the air-supply to the air-chamber, comprising a slidable damper adapted to be operated in guideways, so that the air may enter either at its front or rear ends, in combination with a pivotally dependent air-baffle disposed in the ash-pit and adjacent to the inlet-opening of the base-plate, for the purpose described. (2.) In a smoke-consuming apparatus of the class described, a deflecting-plate adjustably disposed at the rear of an arched fire-bridge and supported by a concave seat and notched ears or lugs projected from the outer side fire-bars of said bridge, for deflecting in the desired direction the air admitted to the air-chamber, for the purpose specified. (3.) In smoke-consuming apparatus of the class described, the combination with the arched fire-bridge, having a concave seat formed at the rear of the fire-bars thereof and notched ears or lugs projected therefrom, of an adjustable plate disposed in the air-chamber, for angularly deflecting the air admitted thereto, as herein set forth. (4.) In a smoke-consuming apparatus of the class described, the means for preventing the damper jamming in its guideways, consisting of two clearance-gaps situated at the inner ends of said guideways, as and for the purpose set forth.

(Specification, 7s. 6d.)

No. 27474.—29th March, 1910.—HARRY WILSON DAVIES, of 139 Adelaide Road, Wellington, New Zealand, Plumber. An improved method of drying acetylene-gas.

Claims.—(1.) The method of drying acetylene-gas after it leaves the generator by bringing it into contact in a suitable manner with carbide of calcium, substantially as set forth. (2.) An apparatus for the purpose indicated, comprising one or more compartments or cylinders, a gas-tight seal between the interior of the compartment and the atmosphere formed by the open end of the said cylinders or compartments dipping into a vessel containing petroleum or any of its products, and means for passing the gas through the carbide contained within the said compartments or compartment, substantially as set forth. (3.) An apparatus for the purpose indicated, comprising one or more compartments or cylinders, the open ends thereof dipping into a vessel containing petroleum, a shelf within each compartment of cylinder for supporting carbide, and a vessel or vessels within the compartment or compartments to receive the deposit of lime caused by the

disintegration of the carbide, substantially as set forth. (4.) In an apparatus for the purpose indicated, a gas-tight seal, obtained by using petroleum or any of its products, substantially as set forth. (5.) The apparatus described, for bringing acetylene-gas into contact with carbide of calcium, to remove the moisture therefrom, constructed, arranged, combined, and operating substantially as specified, and illustrated in the drawings.

(Specification, 4s. 6d.)

No. 27479.—30th March, 1910.—KARL KOSZEGI, of Baja, Hungary, Director, and Count EMIL SZÉCHENYI, of Vaiszka, Hungary, Landed Proprietor. Improvements in cultivating-machines.

Claim.—Improved implement for cultivating-machines of the kind described, wherein a scoring-disc provided with a number of sets of hoes is cut away in front of each set, thereby forming a scoring-edge, which passes through and breaks up all obstructions, allowing a furrow of uniform depth to be formed.

(Specification, 2s.)

No. 27480.—30th March, 1910.—MONO SERVICE VESSELS, LIMITED, of 58 Coleman Street, London, England, Manufacturers (assignees of Elmer Zebley Taylor, of 40, 41, and 42 Percival Street, Goswell Road, London, England, Engineer). Improvements in machinery for use in the manufacture of conical tubes of paper or the like.

Claims.—(1.) In a machine for the manufacture of conical tubes of paper or like material, the employment of a revoluble platen on which piles of shaped blanks are placed, means for imparting rotary movement to such platen, means for positioning the piles of blanks thereon, means for applying paste to such blanks, and means for rolling the pasted blanks to conical form, substantially as specified. (2.) In a machine of the class set forth in claim 1, the employment of a plurality of sets of pasting-mechanism and of a plurality of sets of rolling-mechanism, substantially as specified. (3.) In a machine as set forth in claim 1, the employment for the purpose of supporting the platen of a nut engaging a central screw, and provided with wings engaging slots in a sleeve or column surrounding such screw, to which wings the platen is secured, substantially as specified. (4.) The employment, for the purpose of positioning the blanks on the platen of a machine as set forth in claim 1, of a back support or fence for each pile of blanks, and of side-guides adjustably carried by a rotating-part of the machine and passing through slots in the platen, substantially as specified. (5.) In a machine as set forth in claim 1, the employment of pasting-mechanism comprising a conical pasting-roller and a conical feed-roller rotating in contact therewith, means for imparting continuous rotary motion to the pasting-roller, and a reservoir of paste or the like supported above such rollers, and so formed that the open bottom thereof is closed thereby, substantially as specified.

[NOTE.—Here follow nine other claims.]

(Specification, 15s.)

No. 27481.—22nd July, 1909.—PERCIVAL SPENCER UMFREVILLE PICKERING, of the Woburn Experimental Fruit Farm, Ridgmont, Bedford, England, Chemist, and WALTER ARTHUR VOSS, of Fairlight Glen, Eastwood Road, Rayleigh, Essex, England, Chemist. Improvements in fungicides.

NOTE.—This is an application under the International and Inter-colonial Arrangements, the date given being the official date of the application in Great Britain.

Claims.—(1.) Concentration, without dehydration or drying, of a precipitate consisting mainly of basic-copper sulphate, preferably as above, so that its activity and ready diffusibility in water may remain unimpaired, and so that it may be easily transported ready for use upon admixture with water. (2.) As a new article of manufacture, a basic-copper-sulphate paste prepared, substantially in the manner and for the purposes described. (3.) In a basic-copper-sulphate paste, as set forth in claim 2, the addition of quillaia-bark in the proportions specified, for the purposes described.

(Specification, 2s.)

No. 27489.—31st March, 1910.—PERCY HASTINGS, of Lascelles Street, Hastings, New Zealand, Painter, and GEORGE LAND, of Southampton Street, Hastings aforesaid, Saddler. Improvements in skylights and the like.

Claims.—(1.) In a structure such as described, the employment of U-shaped clips secured in slots formed in the framework of such structure, and adapted to receive the lower

edges of sheets of glass, substantially as set forth. (2.) In a structure such as described, U-shaped clips secured in slots formed in the framework, the sheets of glass having their upper edges inserted between the clips and framework, and having their lower edges resting in the next lower opposing pair of clips, substantially as set forth. (3.) The combination and arrangement of parts comprising the improvements in skylights and the like, constructed and combined, substantially as set forth.

(Specification, 3s.)

No. 27494.—20th May, 1909.—ALBERT VICTOR PARK, of 96 Market Street, South Melbourne, Bourke, Australia, Engineer. Improvements in and connected with valves for retaining fluids in containers.

[NOTE.—This is an application under the International and Inter-colonial Arrangements, the date given being the official date of the application in Australia.]

Extract from Specification.—According to this invention, a protuberance of flexible material extends into the fluid-holding container. Through the protuberance is a passageway or slit which penetrates its inner edge and thereby forms two lips. Fluid being forced into the container separates the lips, but immediately it ceases to enter the lips close together again by their resiliency. Pressure of the fluid upon the sides of the protuberance retains the lips in close contact, and the greater the pressure the more effectually closed is the passageway.

[NOTE.—The above extract from the specification is inserted in place of the claims.]

(Specification, 9s.)

No. 27496.—1st April, 1910.—SIDNEY HERBERT SHEPHERD, of 56 Market Street, Sydney, New South Wales, Australia, Commercial Agent (assignee of George McNeil Robb, of St. Kilda Road, St. Kilda, Victoria, Australia, and Harold Brandon Skertchly, of High Street, Kew, Victoria aforesaid, Civil servants). An improved catch for windows, vertically sliding doors, and the like.

Claims.—(1.) A catch for windows, sliding-doors, and the like, constructed in the form of an angle, with a preponderance of weight at the apex thereof, and having its upper end pivoted to a plate designed to be secured to a stile of a window or door framing, and its lower end adapted to engage with a rack, substantially as described and illustrated, and for the purposes set forth. (2.) A catch for windows, sliding-doors, and the like, constructed in the form of an angle, with a preponderance of weight at the apex thereof, and having its upper end pivoted to a plate designed to be secured to a stile of a window or door framing, and its lower end adapted to engage with a rack, said plate and catch being each furnished with a finger-operating piece, substantially as described and illustrated, and for the purposes set forth. (3.) A catch for windows, sliding-doors, and the like, constructed in the form of an angle, with a preponderance of weight at the apex of said angle, means for pivoting said catch at its upper end, and means at its opposite end whereby it engages with the teeth of a rack and an inverted locking-tooth, substantially as described and illustrated, and for the purposes set forth.

[NOTE.—Here follow three other claims.]

(Specification, 5s.)

Copies of drawings may be obtained at the uniform price of 1s. each. In exceptional cases this price may be increased at the discretion of the Office.

An asterisk (*) denotes the complete specification of an invention for which a provisional specification has been already lodged.

NOTE.—The cost of copying the specification has been inserted after the notice of each application. An order for a copy or copies should be accompanied by a post-office order or postal note for the cost of copying.

The date of acceptance of each application is given after the number.

Extracts from the drawings accompanying the foregoing complete specifications appear at the end of this Gazette.

J. C. LEWIS,
Registrar.

Provisional Specifications accepted.

Patent Office,
Wellington, 20th April, 1910.

APPLICATIONS for Letters Patent, with provisional specifications, have been accepted as under:—

- No. 27307.—J. J. Keppel, wire-strainer.
- No. 27412.—H. L. Friend, step-annunciator, for tram-cars, &c.
- No. 27430.—D. McLean, chimney-draught inducer.
- No. 27444.—S. Waters, flash-signal shutter.
- No. 27445.—J. S. Lawrie, piston-rod-packing device.
- No. 27455.—S. F. Darragh, phonograph, trumpet-attachment.
- No. 27458.—J. L. MacDonald, axle-construction.
- No. 27461.—G. Massey, sheep-shearing machine.
- No. 27463.—J. A. McKinnon, couch.
- No. 27464.—H. A. Foote, water-motor.
- No. 27468.—T. E. O'Brien, turnip-thinner and hoeing-machine.
- No. 27469.—F. W. Gough, tap or cock.
- No. 27471.—A. Falkner, building-construction.
- No. 27475.—C. J. Nicklin, preserving-jar.
- No. 27487.—J. Whall, vehicle-jack.
- No. 27491.—K. McK. Fraser, aeroplane.
- No. 27498.—G. W. Phillips, hat-pin-point protector.
- No. 27499.—A. R. Christian and E. A. Reynolds, trolley-pole lowering.
- No. 27523.—E. Le Roy, sail and sail-setting.

[NOTE.—Provisional specifications cannot be inspected, or their contents made known by this office in any way, until the complete specifications in connection therewith have been accepted.]

Letters Patent sealed.

LIST of Letters Patent sealed from the 1st to the 15th April, 1910, inclusive:—

- No. 24861.—F. C. Brown, ore-treatment.
- No. 24883.—T. W. Rapley, magnetic separator.
- No. 24910.—D. Taylor, binding-file.
- No. 24950.—A. Robins, produce-box.
- No. 25326.—D. Fraser, gig-saw.
- No. 25330.—A. W. B. Corry and C. H. Alley, nail-punch.
- No. 25362.—R. S. Newcomb, closet or privy.
- No. 25393.—J. Hopkirk, milk &c., agitating apparatus.
- No. 25411.—V. R. Blair, acetylene-generator.
- No. 25426.—R. M. Smith, wheel.
- No. 25434.—J. Hutchings, pumping-engine.
- No. 25438.—T. Firth, horse-controller and wheel-lock.
- No. 25476.—G. L. Pearson, well-boring appliance.
- No. 25517.—J. P. Carmine, automatic coupling.
- No. 25522.—E. B. Killen, wooden wheel.
- No. 25536.—L. N. Dyhrberg, fireplace-front.
- No. 25598.—D. McLean, level.
- No. 25751.—Mjolkkningsmaskin Aktiebolaget, inflatable tube for milking-organs. (T. E. Wawrinsky and H. F. Albin.)
- No. 25772.—United Shoe Machinery Company, boot and shoe manufacture. (J. Cavanagh, jun., and P. H. Doherty.)
- No. 25826.—The Powers Railway Safety Appliance Company, railway-train air-brake. (E. B. Powers.)
- No. 25986.—E. von Lepel, rapid electric-oscillation production.
- No. 26003.—H. Knudsen and H. Barta, type-setting machine.
- No. 26071.—C. E. Walder and H. M. Ashton, carcase-skipping, &c., instrument.
- No. 26130.—A. E. Humphries, flour-milling.
- No. 26169.—A. Falkner, jack, crane, &c., actuating gear.
- No. 26176.—C. F. Siegert, metalliferous-material treatment.
- No. 26287.—Perks, Dane, and Co. Proprietary, Limited (J. E. Dane), moisture from electric cable, drying.
- No. 26351.—W. R. Bruce and F. Coutts, tram-car life-guard-actuating mechanism.
- No. 26397.—N. W. Pill, carburetter.
- No. 26434.—L. G. Abrams, broom or brush. (H. M. Marsh.)
- No. 26481.—K. I. Lindstrom, milking-machine.
- No. 26555.—Sandow Limited, corset. (R. M. Hahn.)
- No. 26610.—W. Castles, earth, &c., excavator and dumper.
- No. 26761.—E. G. Harrop, finger-ring.
- No. 26897.—C. Allen, slime-separator and classifier.
- No. 26975.—J. T. Hunter, animals' intestine treating machine. (Wolf, Sayer, and Heller—E. Bianchi.)
- No. 26976.—J. Mitchell, building-construction.
- No. 26977.—E. Brown, marine-turbine installation.
- No. 26980.—B. Baron, smoking-pipe charge.
- No. 26999.—P. E. G. Cumberland, steam-boiler corrosion-prevention.

- No. 27012.—M. H. Page, liquid-fuel-tank vent.
- No. 27037.—J. Wilson, liquid-fuel vapour, &c., utilisation.
- No. 27038.—A. A. Holle, turbine.
- No. 27039.—E. M. Holme, electric crane.
- No. 27040.—A. Kilborn, milking-machine attachment.
- No. 27047.—P. Brenner and O. Hoffmann, pump, &c., valve.
- No. 27068.—E. T. Fennell and J. Sackett, metallic-ore furnace.
- No. 27069.—The Sectional Box Company, box or case. (C. Fassnacht.)
- No. 27071.—J. C. Barker, metal-melting furnace.
- No. 27073.—J. Bamford, potato-digging machine.
- No. 27082.—F. E. Watling, plate-lift.
- No. 27098.—E. Wright, fibre-decorticating machine.

Letters Patent on which Fees have been paid.

[NOTE.—The dates are those of the payments.]

SECOND-TERM FEES.

- No. 20970.—W. S. Clarke, plastering-lath fixing. 6th April.
- No. 20976.—E. Broughton, clothing cutting and fitting. 5th April.
- No. 20981.—J. McNally, fencing-dropper. 6th April.
- No. 21064.—E. T. C. Firth, mixing, &c., machine. 7th April.
- No. 21246.—F. A. Lakin, attaching fencing-wires to standards. 7th April.

THIRD-TERM FEES.

- No. 16068.—H. Harraway, grain-drier, &c. 1st April.
- No. 16259.—T. Terrell, incandescent-mantle manufacture. 12th April.
- No. 16348.—A. Gillies, pneumatic milking-apparatus. 7th April.
- No. 16378.—A. Gillies, teat-cup, 7th April.

Subsequent Proprietor of Letters Patent registered.

[NOTE.—The name of the former proprietor is given in brackets; the date is that of registration.]

NO. 24138.—Telegraphone Corporation, a corporation organized and existing under the laws of the State of Maine, United States of America, and having a place of business at 32 Nassau Street, New York, United States of America. Telephononic apparatus. (E. A. Hytten.) 4th April, 1910.

Request to amend Specification allowed.

THE request to amend specification No. 25749—E. Arnold, ventilating-system (advertised in Supplement to *New Zealand Gazette*, No. 106, of the 16th December, 1909)—has been allowed.

Requests for Correction of Clerical Errors in Applications for Letters Patent.

NO. 27235.—Submarine Signal Company, sounder. (Advertised in Supplement to *New Zealand Gazette*, No. 22, of the 10th March, 1910.)

To insert the following paragraph after line 3, page 7, of specification:—

“There is shown in figures 12 and 13 an arrangement of these openings or ports, in which the proportion of the length of the openings in the cylinder is to the opening in the casing approximately as 1 : 3, this being a convenient though not necessary proportion of the one to the other.”

No. 25476.—G. L. Pearson, well-borer. (Advertised in Supplement to *New Zealand Gazette*, No. 8, of the 27th January, 1910.)

To alter the second name of the applicant from “Lucan” to “Lucas.”

Application for Letters Patent refused.

THE following application for Letters Patent has been refused:—

No. 25990.—R. Sorenson, Bradley gig. (Advertised in Supplement to *New Zealand Gazette*, No. 93, of the 4th November, 1909.)

Applications for Letters Patent abandoned.

LIST of applications, with which provisional specifications only have been filed, abandoned (*i.e.*, complete specifications not lodged) from the 1st to the 15th April, 1910, inclusive:—

- No. 26004.—D. Nable, saddle.
 No. 26006.—J. H. Mau, cheese measurer and cutter.
 No. 26014.—A. Lyell, apple, &c., paring and coring machine.
 No. 26015.—H. L. Cottrell and J. Brookes, sports-score indicator.
 No. 26016.—C. E. la G. C. Larmour, vehicle-loading means.
 No. 26020.—E. Smethurst, obtaining samples of wool from interior of bales.
 No. 26021.—P. Keayes, pencil-clip.
 No. 26023.—C. G. Kelly, coupling-cock.
 No. 26029.—A. Walker and M. W. Marriage, grit-mill.
 No. 26030.—A. Morris, water-motor.
 No. 26031.—J. S. Agnew, tea-strainer.
 No. 26036.—J. D. Jensen and C. E. Holland, shirt-collar.
 No. 26038.—F. Gough, foot-warmer.
 No. 26039.—E. Walker, clothes-peg.
 No. 26042.—S. H. Ramsbotham, acetylene-generator.
 No. 26044.—J. Riddles and G. Metcalfe, tire-cover.
 No. 26047.—H. Drouthege, teat-cup.
 No. 26050.—E. Thorn, knickerbocker-fastening.
 No. 26052.—A. E. Maxwell, hollow concrete wall.
 No. 26053.—W. J. H. Greensill, preserving-jar.
 No. 26056.—H. Brown, broom and brush rack.
 No. 26058.—A. E. Panting, R. G. Hustwick, and G. H. Scott, vehicle-wheel.
 No. 26065.—J. Fraser, C. Jumeaux, and S. E. Fraser, vessel's course-recorder.
 No. 26066.—F. M. Allan, cement-kiln.
 No. 26068.—G. Pettigrew and W. P. Hambleton, dredge.
 No. 26069.—C. H. Scales, furniture-caster.
 No. 26072.—W. Bassett, teat-cup.
 No. 26073.—C. W. Clayton, bed.
 No. 26076.—W. C. Haines, rotary engine.
 No. 26090.—S. Graham, railway and tramway rail.
 No. 26091.—J. Little, display-cabinet.
 No. 26094.—E. J. Chilton, Venetian blind.
 No. 26096.—W. A. McNaught, branding-device.

Application for Letters Patent void.

APPLICATION for Letters Patent, with which complete specifications have been lodged, void owing to non-acceptance of such complete specifications, from the 1st to the 15th April, 1910, inclusive:—

- No. 25420.—F. F. Porter, breaking-down machine.

Applications for Letters Patent lapsed.

APPLICATION for Letters Patent lapsed, owing to Letters Patent not being sealed, from the 1st to the 15th April, 1910, inclusive:—

- No. 24996.—R. J. Waters, fencing-wire fastener.
 No. 25007.—Lamb and Todd, Limited, displaying and storing apparatus for lace curtains. (T. H. White.)
 No. 25011.—W. Thwaites, railway-point, &c., lock.
 No. 25040.—P. S. Irwin, preventing marine engines from racing.
 No. 25044.—J. Baird, earth-closet.
 No. 25069.—W. J. Parsons, step-ladder.

Letters Patent void.

LIST of Letters Patent void through non-payment of renewal fees, and through expiry of term of fourteen years, from the 1st to the 15th April, 1910, inclusive:—

THROUGH NON-PAYMENT OF SECOND-TERM FEES.

- No. 20517.—F. J. Walton and L. V. Rogers, time-table, &c.
 No. 20523.—Linotype and Machinery, Limited, linotype machine. (W. E. Hughes, Linotype and Machinery, Limited—F. W. Sutcliffe.)
 No. 20524.—A. J. and R. H. Campbell, aerated-liquid container.

- No. 20525.—T. D. Kyle, fish-decomposition prevention.
 No. 20526.—E. N. Waters, crushing-mill. (J. H. Hendy.)
 No. 20532.—G. Carrington, wire-strainer, &c.
 No. 20533.—A. G. Betts, electrical conductor.
 No. 20534.—La Société Anonyme, Westinghouse, and M. Leblanc, ejector.
 No. 20535.—A. R. Hubbard and R. Flay, kitchen-range.
 No. 20540.—The Cockshutt Plow Company, Limited, mounting disc in plough. (J. D. Bywater.)
 No. 20542.—W. F. C. Kelly and J. A. Bentham, photographic dry plate, &c.
 No. 20544.—J. Dalton, river-bank protection.
 No. 20545.—P. Wright, metal-extraction.
 No. 20549.—F. W. Klever, lubricating, &c., oil.
 No. 20553.—R. H. Whitelegg, locomotive-engine blast-pipe.
 No. 20563.—H. M. Butler, vehicle-axle.
 No. 20564.—S. Armstrong, leg-ropes grip.
 No. 20565.—A. Bradfield, jun., lifting-jack attachment.
 No. 20571.—J. A. Easton and J. Greenfield, horse, &c., feed box.

THROUGH NON-PAYMENT OF THIRD-TERM FEES.

- No. 15836.—H. W. Blaisdell, handling material.
 No. 15846.—R. A. Fessenden, signalling, &c., by electro-magnetic waves.
 No. 15847.—R. A. Fessenden, electro-magnetic-wave-current receiver.
 No. 15875.—A. R. Hardy, candlestick-sconce.

THROUGH EXPIRY OF TERM.

- No. 8376.—Felten and Guillaume Carlswerk Actien Gesellschaft, cable. (M. Guilleaume.)
 No. 8377.—E. J. Preston and A. B. Gell, lighting and heating railway-carriages.
 No. 8384.—The Maypole Company (1899), Limited, soap. (G. Stecken.)
 No. 8393.—Ogdens Limited, cigarette-manufacture. (B. Baron.)

Applications for Trade Marks filed.

LIST of applications for registration of Trade Mark filed from the 1st to the 15th April, 1910, inclusive:—

- No. 8640.—5th April.—A. D. Riley and Co., Limited, Wellington, N.Z. Class 50.
 No. 8641.—5th April.—General Electric Company, Schenectady, U.S.A. Class 13.
 Nos. 8642 and 8643.—6th April.—Hodder and Tolley, Limited, Palmerston North, N.Z. Classes 2 and 46.
 No. 8644.—6th April.—Barker Bros., Silversmiths Limited, Birmingham, Eng. Class 14.
 Nos. 8645, 8646, 8647, 8648, 8649, 8650, 8651, and 8652.—6th April.—Koninklijke Nederlandsche Maatschappij tot Exploitatie van Petroleum Bronnen in Nederlandsche Indie, The Hague, Holland. Class 47.
 Nos. 8653 and 8655.—6th April.—Bataafsche Petroleum-Maatschappij, The Hague, Holland. Class 4.
 Nos. 8654, 8656, 8657, 8658, 8659, 8660, 8661, 8662, 8663.—6th April.—Bataafsche Petroleum Maatschappij, The Hague, Holland. Class 47.
 No. 8664.—6th April.—J. Strachan and Sons, Aberdeen, Scot. Class 42.
 No. 8665.—6th April.—J. Dunand Versoix, Switzerland, and London, Eng. Class 6.
 Nos. 8666 and 8667.—6th April.—Kerr and Co., Limited, Paisley, Scot. Class 23.
 No. 8668.—7th April.—J. Albert and Son, Sydney, N.S.W. Class 8.
 No. 8669.—9th April.—British-American Tobacco Company, Limited, London, Eng. Class 45.
 No. 8670.—12th April.—A. Ardley, Melbourne, Vic. Class 48.
 Nos. 8671 and 8673.—12th April.—G. Garnett and Sons, Limited, Apperley Bridge, Eng. Class 34.
 Nos. 8672 and 8674.—12th April.—G. Garnett and Sons, Limited, Apperley Bridge, Eng. Class 38.
 No. 8675.—12th April.—E. W. Pidgeon and Co., Limited, Christchurch, N.Z. Class 22.
 No. 8676.—13th April.—Sargood, Son, and Ewen, Limited, Dunedin and elsewhere, N.Z. Class 38.
 No. 8677.—14th April.—J. Murdoch, Dunedin, N.Z. Class 50.
 No. 8678.—14th April.—Columbia Phonograph Company, General, New York, U.S.A. Class 8.

Applications for Registration of Trade-Marks.

Patent Office,
Wellington, 20th April, 1910.

A PPLICATIONS for registration of the following Trade Marks have been received. Notice of opposition to the registration of any of these applications may be lodged at this office within two months of the date of this *Gazette*. Such notice must be in duplicate, and accompanied by a fee of £1.

No. of application : 8540.
Date : 4th February, 1910.

TRADE MARK.

ORION



NAME.

ROBERT HARPER AND CO. PROPRIETARY, LIMITED, of No. 390 Little Flinders Street, Melbourne, in the State of Victoria and Commonwealth of Australia, Merchants.

No. of class : 42.

Description of goods : Spices, cordials (non-alcoholic), preserved meats, fish, vegetables, fruit, arrowroot and other root foods, farinaceous foods, cereal foods, culinary essences, food essences, condiments, dairy-produce, jams, jellies, preserves, coffee and its essences and compounds, coffee and milk, chicory, cocoa, cocoa and milk, cooking-powders, carraways, ginger, sugar, table oils, desiccated cocoanut, honey, hops, condensed milk, concentrated milk, concentrated cream, dried herbs, ginger-beer powders, table-jelly crystals, fruit juices, biscuits, confectionery, gelatine, and isinglass.

[NOTE.—This application is regazetted on account of a clerical error in the previous notice.]

No. of application : 8587.
Date : 3rd March, 1910.

TRADE MARK.

NADRUCO



NAME.

NATIONAL DRUG AND CHEMICAL COMPANY OF CANADA, LIMITED, of 34 St. Gabriel Street, in the City and District of Montreal, Province of Quebec, Canada, Manufacturers.

No. of class : 3.

Description of goods : Chemical substances prepared for use in medicine and pharmacy.

B

No. of application : 8588.
Date : 3rd March, 1910.

TRADE MARK.

(The mark as shown in preceding notice, No. 8587.)

NAME.

NATIONAL DRUG AND CHEMICAL COMPANY OF CANADA, LIMITED, of 34 St. Gabriel Street, in the City and District of Montreal, Province of Quebec, Canada, Manufacturers.

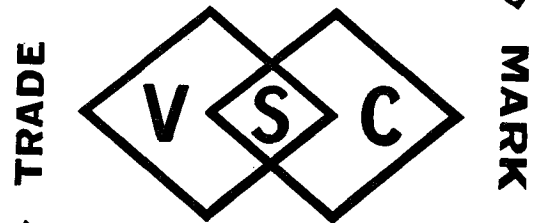
No. of class : 48.

Description of goods : Perfumery, including toilet articles preparations for the teeth and hair, and perfumed soap.

No. of application : 8602.
Date : 9th March, 1910.

TRADE MARK.

THE WOODVILLE



BACON COY. LTD.

The essential particular of this trade mark is the distinctive device; and any right to the exclusive use of the added matter is disclaimed.

NAME.

THE WOODVILLE BACON COMPANY, LIMITED, of Woodville, in the Dominion of New Zealand.

No. of class : 42.

Description of goods : Bacon, hams, lard, and by-products of pork.

No. of application : 8627.
Date : 24th March, 1910.

TRADE MARK.



The essential particular of this trade mark is the device; and applicants disclaim any right to the exclusive use of the added matter, save and except their name and address.

NAME.

CHAMPION AND SLEE, LIMITED, of London, England, Manufacturers.

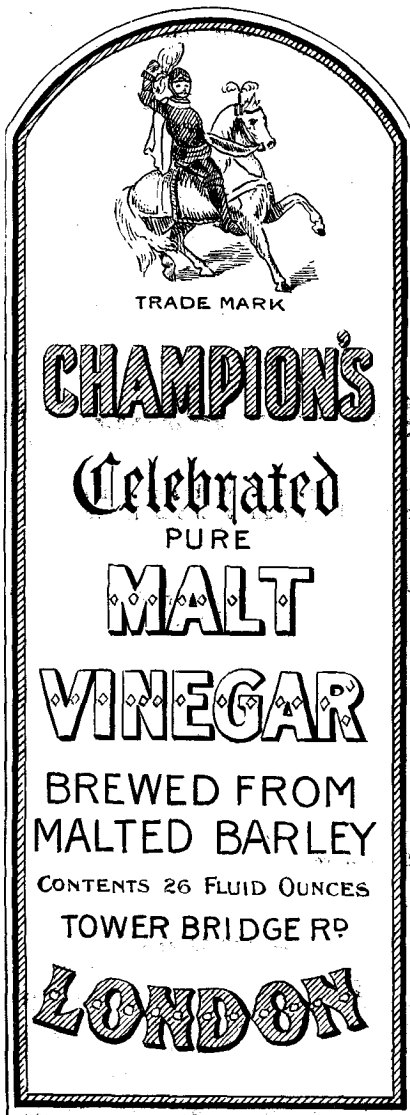
No. of class: 42.

Description of goods: Vinegar.

No. of application: 8628.

Date: 24th March, 1910.

TRADE MARK.



The essential particulars of this trade mark are the device, including the mailed figure of a knight mounted on horseback, and the word "Champion's"; and any right to the exclusive use of the added matter is disclaimed, save and except the address of the applicants.

NAME.

CHAMPION AND SLEE, LIMITED, of London, England, Manufacturers.

No. of class: 42.

Description of goods: Vinegar.

No. of application: 8630.

Date: 29th March, 1910.

TRADE MARK.

The word

DANDY.

NAME.

T. AND S. MORRIN, LIMITED, a duly incorporated company having its registered office at High Street, Auckland, in the Dominion of New Zealand, Iron and Hardware Merchants.

No. of class: 6.

Description of goods: Windmills for pumping water.

No. of application: 8632.

Date: 30th March, 1910.

TRADE MARK.

The word

KAPEKUT.

NAME.

THOMAS JOHN MILDENHALL, of Opunake, in the Dominion of New Zealand, Saddler.

No. of class: 37.

Description of goods: Animal-covers.

No. of application: 8633.

Date: 30th March, 1910.

TRADE MARK.

The word

DREADNOUGHT.

NAME.

FREDERICK ANDREWS, of Mercer, in the Dominion of New Zealand, Farm-manager.

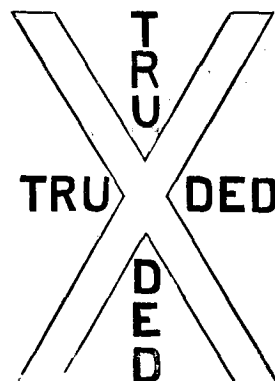
No. of class: 1.

Description of goods: Waterproof composition for coating the exterior of buildings.

No. of application: 8635.

Date: 30th March, 1910.

TRADE MARK.



NAME.

THE EXTRUDED METALS COMPANY, LIMITED, of Tunnel Avenue, East Greenwich, London S.E., England, Manufacturers.

No. of class: 5.

Description of goods: Unwrought and partly wrought metals used in manufacture.

No. of application: 8636.
Date: 31st March, 1910.

The word

TRADE MARK

TAROX.

NAME.

FRANCIS ALEXANDER STEEDS, of Ferry Road, Christchurch, in the Dominion of New Zealand, Chemist.

No. of class: 3.
Description of goods: A compound essence of pine-tar.

No. of application: 8641.
Date: 29th December, 1909.

TRADE MARK.

MAZDA

NAME.

GENERAL ELECTRIC COMPANY, a corporation organized and existing under the laws of the State of New York, United States of America, and located at the City of Schenectady, State of New York, United States of America.

No. of class: 13.
Description of goods: Electric lamps.

[NOTE.—This application is made in accordance with the International and Intercolonial Arrangements, the date given being that of the application in the United States of America.]

No. of application: 8643.
Date: 6th April, 1910.

The word

TRADE MARK.

TUI.

NAME.

HODDER AND TOLLEY, LIMITED, registered office, Palmerston North, in the Dominion of New Zealand, Seed and Grain Merchants.

No. of class: 46.
Description of goods: All kinds of agricultural seeds.

No. of application: 8644.
Date: 6th April, 1910.

TRADE MARK.



NAME.

BARKER BROTHERS, SILVERSMITHS, LIMITED, of Unity Works, Constitution Hill, Birmingham, in the County of Warwick, England, Silversmiths.

No. of class: 14.
Description of goods: All goods included in this class.

[NOTE.—Class 14 is for "Goods of precious metals (including aluminium, nickel, Britannia metal, &c.) and jewellery, and imitations of such goods and jewellery (such as plate), clock-cases and pencil-cases of such metals, Sheffield and other plated goods, gilt and ornolu work."]

No. of application: 8645.
Date: 6th April, 1910.

The word

TRADE MARK.

AUTOLINE.

NAME.

KONINKLIJKE NEDERLANDSCHE MAATSCHAPPIJ TOT EXPLOITATIE VAN PETROLEUM BRONNEN IN NEDERLANDSCHE INDIE, of The Hague, Holland, Manufacturers.

No. of class: 47.
Description of goods: Petroleum and products of petroleum, such as kerosene, benzine, gasoline, petroleum spirit, petroleum jelly, soap, candles, vaseline, naphtha, and all other products derived from petroleum; also all other descriptions of illuminating, heating, or lubricating oils.

No. of application: 8646.
Date: 6th April, 1910.

The word

TRADE MARK.

BORNEOLINE.

NAME.

KONINKLIJKE NEDERLANDSCHE MAATSCHAPPIJ TOT EXPLOITATIE VAN PETROLEUM BRONNEN IN NEDERLANDSCHE INDIE, of The Hague, Holland, Manufacturers.

No. of class: 47.
Description of goods: Petroleum and products of petroleum, such as kerosene, benzine, gasoline, petroleum spirit, petroleum jelly, soap, candles, vaseline, naphtha, and all other products derived from petroleum; also all other descriptions of illuminating, heating, or lubricating oils.

No. of application: 8647.
Date: 6th April, 1910.

The word

TRADE MARK.

SUMATRINE.

NAME.

KONINKLIJKE NEDERLANDSCHE MAATSCHAPPIJ TOT EXPLOITATIE VAN PETROLEUM BRONNEN IN NEDERLANDSCHE INDIE, of The Hague, Holland, Manufacturers.

No. of class: 47.
Description of goods: Petroleum and products of petroleum, such as kerosene, benzine, gasoline, petroleum spirit, petroleum jelly, soap, candles, vaseline, naphtha, and all other products derived from petroleum; also all other descriptions of illuminating, heating, or lubricating oils.

No. of application: 8648.
Date: 6th April, 1910.

TRADE MARK.

The word

AEROBENZINE.

NAME.

KONINKLIJKE NEDERLANDSCHE MAATSCHAPPIJ TOT EXPLOITATIE VAN PETROLEUM BRONNEN IN NEDERLANDSCHE INDIE, of The Hague, Holland, Manufacturers.

No. of class: 47.

Description of goods: Petroleum and products of petroleum, such as kerosene, benzine, gasoline, petroleum spirit, petroleum jelly, soap, candles, vaseline, naphtha, and all other products derived from petroleum; also all other descriptions of illuminating, heating, or lubricating oils.

No. of application: 8650.
Date: 6th April, 1910.

TRADE MARK.

The word

AEROLINE.

NAME.

KONINKLIJKE NEDERLANDSCHE MAATSCHAPPIJ TOT EXPLOITATIE VAN PETROLEUM BRONNEN IN NEDERLANDSCHE INDIE, of The Hague, Holland, Manufacturers.

No. of class: 47.

Description of goods: Petroleum and products of petroleum, such as kerosene, benzine, gasoline, petroleum spirit, petroleum jelly, soap, candles, vaseline, naphtha, and all other products derived from petroleum; also all other descriptions of illuminating, heating, or lubricating oils.

J. C. LEWIS,
Registrar.

Trade Marks registered.

LIST of Trade Marks registered from the 1st to the 15th April, 1910, inclusive:—

- No. 6738/8258.—A. H. S. Lucas. Class 3. (*Gazette* No. 85, of the 7th October, 1909.)
No. 6739/8472.—Fletcher, Humphreys, and Co. Class 42. (*Gazette* No. 2, of the 13th January, 1910.)
No. 6740/8463.—C. E. Darvill. Class 42. (*Gazette* No. 2, of the 13th January, 1910.)
No. 6741/8438.—George, Doughty, and Co. Class 38. (*Gazette* No. 2, of the 13th January, 1910.)
No. 6742/8464.—Standard Oil Company of New York. Class 4. (*Gazette* No. 8, of the 27th January, 1910.)
No. 6743/8228.—J. R. Neave and Co. Class 42. (*Gazette* No. 8, of the 27th January, 1910.)
No. 6744/8243.—A. Rosenberg. Class 50. (*Gazette* No. 8, of the 27th January, 1910.)
No. 6745/8452.—R. J. H. Hope. Class 2. (*Gazette* No. 8, of the 27th January, 1910.)
No. 6746/8458.—T. G. Plant Company. Class 38. (*Gazette* No. 8, of the 27th January, 1910.)
No. 6747/8487.—Craig and Altken. Class 48. (*Gazette* No. 8, of the 27th January, 1910.)
No. 6748/8488.—Kyl-Fyre, Limited. Class 50. (*Gazette* No. 8, of the 27th January, 1910.)
Nos. 6749/8490, 6750/8491, and 6751/8492.—R. I. Clark and Co. (Australasia), Limited. Class 1. (*Gazette* No. 8, of the 27th January, 1910.)
No. 6752/8493.—Chemusche Fabrik, Dr. R. Scheuble, und Dr. A. Hochstetter. Class 3. (*Gazette* No. 8, of the 27th January, 1910.)
No. 6753/8504.—W. Park and Co. Class 13. (*Gazette* No. 8, of the 27th January, 1910.)

Trade Mark Renewal Fees paid.

FEES paid for the renewal of the undermentioned Trade Marks for fourteen years from the date first mentioned:—

Nos. 1678/1345, 1679/1346, 1680/1347, 1681/1348.—24th April, 1910.—Gifford Plowman and Co., of Napier, N.Z., 12th April.

No. 1769/1414.—6th August, 1910.—C. W. Schmidt, of Stratford, Eng., 7th April.

No. 1866/1709.—7th December, 1910.—The Swift Cycle Company, Limited, of Coventry, Eng. (The Coventry Machinists Company, Limited), 6th April.

Subsequent Proprietor of Trade Marks registered.

[NOTE.—The name of the former proprietor is given in brackets; the date is that of registration.]

NOS. 614/502 and 615/503.—Hall and Ruckel, a corporation organized under the laws of the State of New York, and located and doing business at 215 Washington Street, in the City of New York, State of New York, U.S.A. (W. H. Hall—"Hall and Ruckel.") 9th April, 1910.

Trade Marks removed from the Register.

TRADE Marks removed from the Register owing to the non-payment of the renewal fee, from the 1st to the 15th April, 1910, inclusive:—

No. 1603/1299.—3rd January, 1896.—M. Konig, of Christchurch, N.Z. Class 38.

No. 1612/1463.—11th January, 1896.—W. Rainbow, of Christchurch, N.Z. Class 3.

No. 1613/1312.—31st December, 1895.—Chew Chong, of New Plymouth, N.Z. Class 42.

Application for Trade Mark withdrawn.

THE following application for Trade Mark has been withdrawn:—

No. 7937.—American Metal Polish Company. (Advertised in Supplement to *New Zealand Gazette*, No. 34, of the 22nd April, 1909.)

Applications for Trade Marks abandoned or refused.]

LIST of applications for registration of Trade Marks abandoned or refused from the 5th February to the 5th April, 1910, inclusive:—

No. 7451.—18th July, 1908.—H. E. Billson, of Christchurch, N.Z. Class 50.

Nos. 7597, 7598.—5th October, 1908.—A. H. Wright, of Dunedin, N.Z. Classes 39 and 41.

Nos. 7624, 7625.—21st October, 1908.—The Eadie Manufacturing Company, Limited, of Redditch, Eng. Classes 13 and 22.

No. 7653.—4th November, 1908.—G. C. Stoltz, of Sydney, N.S.W. Class 18.

No. 7681.—18th November, 1908.—Sissons Bros. and Co., Limited, of Hull, Eng. Class 1.

No. 7821.—3rd February, 1909.—J. Nathan and Co., Limited, Wellington, N.Z. Class 45.

No. 7828.—8th February, 1909.—J. B. MacEwan and Co., Limited, of Wellington, N.Z. Class 47.

No. 7830.—10th February, 1909.—Standard Sewing Machine Company, of Ohio, U.S.A. Class 6.

No. 7910.—24th March, 1909.—W. Gossage and Sons, Limited, of Widnes, Eng. Class 47.

No. 7917.—25th March, 1909.—G. Lindsay, of Marton, N.Z. Class 49.

No. 7925.—31st March, 1909.—E. J. Smith, of New York, U.S.A. Class 13.

Requests for Amendment of Trade Marks Applications allowed.

NO. 8342.—D. G. Brown (advertised in Supplement to *New Zealand Gazette*, No. 14, of the 10th February, 1910).

No. 8344.—R. Wilson and Co., Limited (advertised in Supplement to *New Zealand Gazette*, No. 2, of the 13th January, 1910).

Alphabetical List of Applicants for Letters Patent for Quarter ended 31st March, 1910.

THIS list includes also (1) applications lodged prior to but gazetted during the quarter, (2) complete specifications following provisional specifications accepted and gazetted during the quarter. The first number and date are those of the application, the second (in parentheses) those of the *Gazette*. Where only one number and date are inserted, the application has not yet been accepted.

* Denotes a provisional specification. † Denotes a prior date under the International and Intercolonial Arrangements.

- Adamson, H. J. G., Hastings, New Zealand; pot, &c., lid; 27143, 12th January; (14, 10th February).*
- Agnew, J. S., Dunedin, New Zealand; tea-strainer; 27387, 2nd March; (27, 24th March).*
- Alcorn, M., Sydney, New South Wales; food and water heater; 27506, 31st March.
- Alexander, A. M., Beverly, United States America (see United Shoe Machinery Company, No. 27377).
- Alexander, L. W., and another, Auckland, New Zealand; non-refillable bottle; 27434, 12th March.
- American Automatic Telephone Company, New York, United States America; telephone system; (C. L. Goodrum); 27259, 5th February; (22, 10th March).
- Anderson, G., and others, Wanganui, New Zealand; water-heater; 27106, 30th December, 1909; (18, 24th February).*
- Anderson, S., Timaru, New Zealand; boot-uppers; 27336, 21st February; (22, 10th March).
- Andrews, F., Mercer, New Zealand; applying liquid paint; 27482, 30th March.
- Andrews, F., Mercer, New Zealand; coaling-composition 27483, 30th March.
- Andrews, F. H., Wellington, New Zealand; propeller; 27088, 24th December, 1909; (14, 10th February).*
- Angus, A. R., Neutral Bay, New South Wales; railway-car running-gear; 25706, 18th March, 1909; (18, 24th February).
- Arbuckle, A. J., Belgravia, Transvaal; means for introducing and distributing mixtures of solids and liquids; 27270, 9th February; (27, 24th March).
- Arbuckle, A. J., Belgravia, Transvaal; treatment of ore-products; 27335, 21st February; (27, 24th March).
- Arco (see Von Arco).
- Armstrong, E., Enfield, England; file, rasp, &c.; 27302, 18th February, 1909.†
- Arrowsmith, B. L., and another, Christchurch, New Zealand; wool-press strainer; 27500, 31st March.
- Ashworth, H., Wellington, New Zealand; tram-car night signals; 27432, 16th March.
- Atkinson, H. A., and others, North Fitzroy, Victoria; cot-attachment to bed; 27374, 2nd March; (27, 24th March).
- Bailey, J. N., Stretford, England; pneumatic-tire-leakage prevention; 27226, 12th February, 1909†; (18, 24th February).
- Bain, J., Waipahi, New Zealand; attaching draught to horse-hoe; 27220, 28th January; (18, 24th February).*
- Baker, F., and others, Melbourne, Victoria; deck-chair; 27357, 24th February; (27, 24th March).
- Baldwin, E. S., Wellington, New Zealand; automatic fire-arm; (C. H. A. F. L. Ross); 27375, 2nd March.
- Baldwin, E. S., Wellington, New Zealand; bullet; (C. H. A. F. L. Ross); 27376, 2nd March; (37, 21st April).
- Ball, J., Chicago, United States America; shoe; 26696, 8th October, 1909; (14, 10th February).
- Bandfield, W. E., Wolverhampton, England; attaching telegraph-wires to insulators; 27170, 18th January; 18, 24th February).
- Bank, E. C., Berkeley, United States America; earth-scoop; 27169, 18th January; (14, 10th February).*
- Barnes, L. J., and another, Napier, New Zealand; flying, &c., machine; 27204, 26th January; (14, 10th February).*
- Barracrough, M., Hawera, New Zealand; horse-controller; 27250, 4th February.
- Barrett, A. N., and another, Wellington, New Zealand; operating tramway-points; 27117, 5th January; (8, 27th January).*
- Bate, J., Auckland, New Zealand; flax-washer, &c.; 26583, 13th September, 1909; (27, 24th March).
- Baumgaertner, F., Sydney, New South Wales; locomotion-recorder; 27279, 10th February.
- Beale, W. H., and another, Wellington, New Zealand; hosiery-knitting machine; 27157, 13th January; (8, 27th January).*
- Beales, J. A., and another, Kogarah, New South Wales; signal-displaying apparatus; (J. G. Deeble); 27275, 10th February; (22, 10th March).*

APPLICANTS FOR LETTERS PATENT—continued.

- Beattie, R., and another, Christchurch, N.Z.; snow-board; 25929, 11th May, 1909; (27, 24th March).
- Bell, G. G., Kensington, England; water-heating apparatus; 27300, 15th February.
- Bell Gas-saver Company, Limited, London, England; gas-pressure regulating; (H. M. Caldwell and T. Smith); 27156, 13th January; (22, 10th March).
- Benham, E. B., New London, United States America (see Hydrocarbon Converter Company, No. 27228).
- Bennett, T. O., Marrickville, New South Wales; sheep-shears; 25806, 8th April, 1909; (18, 24th February).
- Berryman, J., Levin, New Zealand; beer, &c., dispensing; 27141, 11th January.
- Bert, A. J., Sydney, New South Wales; method of advertising; (C. J. Bert); 25767, 31st March, 1909; (22, 10th March).
- Bert, C. J., Melbourne, Victoria (see A. J. Bert, No. 25767).
- Bettington, C. A., London, England; pulverising coal; 27077, 21st December, 1909; (14, 10th February).
- Beveridge, A., Christchurch, New Zealand; furnace-door; 25835, 15th April, 1909; (18, 24th February).
- Bicknell, C. A., Greytown, New Zealand (see W. W. Bicknell, No. 27292).
- Bicknell, W. W., Greytown, New Zealand; signalling-apparatus; (C. A. Bicknell); 27292, 14th February; (27, 24th March).*
- Bird, A. J., and another, Wanganui, New Zealand; boot heel and ventilator; 27297, 15th February; (22, 10th March).*
- Blair-Mason, J., and others, Dunedin, New Zealand; sliding-door; 27200, 24th January; (14, 10th February).*
- Blair, V. R., Wellington, New Zealand; acetylene-generator; 25411, 6th January, 1909; (8, 27th January).
- Bohm, H. S., and another, Melbourne, Victoria; ore-treatment; 27330, 18th February; (22, 10th March).*
- Bond, W. A., Lynnfield, United States America (see United Shoe Machinery Company, No. 26008).
- Booth, Q. W., Rochester, United States America; leather-skiving machine; (L. W. G. Flynt); 25771, 1st April, 1909; (18, 24th February).
- Boulter, A. H., and others, Subiaco, Western Australia; spark-arrester; 27311, 16th February.
- Bowron, G. L., Christchurch, New Zealand; method of ignition; 27274, 9th February.
- Braik, M. T., Dunedin, New Zealand; fireless cooker; 25617, 25th February, 1909; (18, 24th February).
- Brandes, A., and another, Hanover, Germany; treatment of liquids; 27429, 15th March; (37, 21st April).
- Brandes, A., and another, Hanover, Germany; steam-generator incrustation-prevention; 27454, 22nd March.
- Bressey, E. F., Putaruru, New Zealand; marine-engine racing-prevention; 27390, 5th March; (27, 24th March).*
- Brigham, D., Auckland, New Zealand; preventing hames slipping off horse-collars; 27190, 19th January; (14, 10th February).*
- Broom, G., Christchurch, New Zealand; bed-rest; 27178, 19th January; (14, 10th February).*
- Brown, E., Baden, Switzerland; working steam- or gas-turbine plant; 27103, 30th December, 1909; (14, 10th February).
- Brown, E., Baden, Switzerland; marine-turbine installation; 27104, 30th December, 1909; (14, 10th February).
- Brown, S. H. J., and another, Foxton, New Zealand; tow conveyer and separator; 27139, 11th January; (8, 27th January).*
- Browne, G. M., Middle Park, Victoria; aerating and bottling machine; 26640, 23rd September, 1909; (14, 10th February).
- Browne, E. H., Clevedon, New Zealand; wire-strainer; 27261, 8th February; (18, 24th February).*
- Browne, G. A., and another, Chicago, United States America; pulveriser; 27381, 2nd March.
- Bruce, W. R., and another, Paisley, Scotland; actuating-mechanism for tram-car life-guard; 26351, 8th August, 1908†; (8, 27th January).
- Budd, A., Papatoetoe, New Zealand; hat-ventilation; 27191, 19th January; (14, 10th February).*
- Bulte, J., and another, Christchurch, New Zealand; railway-tunnel ventilation; 27439, 16th March.
- Burgess, J. N. D., Dunedin, New Zealand; wash-boiler, discharging water from; 27327, 17th February; (22, 10th March).*
- Burns, J. E., Christchurch, New Zealand; fender; 27447, 21st March.
- Burt, E., El Oro, Mexico; filtration process; 27505, 31st March.
- Burton, G. L., Christchurch, New Zealand; acetylene-generator; 27167, 13th January; (24, 27th March).

APPLICANTS FOR LETTERS PATENT—*continued.*

Cairns, J. C., Havelock North, New Zealand; aeroplane; 27267, 8th February; (22, 10th March).*

Caldwell, H. M., and another, Waverley, New South Wales (see Bell Gas-saver Company, Limited, No. 27156).

Cameron, W., Newmarket, New Zealand; card-table top; (E. A. Leslie and J. Donald); 27093, 23rd December, 1909; (14, 10th February).*

Cannell, J. E. P., Timaru, New Zealand; safety catch for tram-trucks; 27288, 11th February; (22, 10th March).*

Carmine, J. P., Westport, New Zealand; tea-infuser; 27111, 4th January; (8, 27th January, * and 27, 24th March).

Carmine, J. P., Westport, New Zealand; automatic coupling; 27183, 20th January.

Carrington, H. C., Timaru, New Zealand; building-bracket; 26970, 16th February, 1910; (18, 24th February).*

Carruthers, R., Levin, New Zealand; milk-can; 27242, 3rd February; (18, 24th February).

Cartwright, J., Vancouver, British Columbia; enabling blasting-charge to be fired by squib and detonator; 26697, 8th October, 1909; (27, 24th March).

Casey, F., Collingwood, Victoria; autogyral steam-engine; 27201, 25th January, 1909†; (22, 10th March).

Casgrain, L. A., and another, Beverly, United States America (see United Shoe Machinery Company, No. 26009).

Chilton, E. J., Kuripuni, New Zealand; water-closet flush; 27393, 7th March; (27, 24th March).*

Chipman, Limited, Sydney, New South Wales; lock-nut; (Grip Nut Company—D. O. Ward); 27175, 19th January; (14, 10th February).*

Cusholm, W. B., Charleston, United States America; preserving wood; 27150, 16th February, 1909†; (22, 10th March).

Christian, A. R., Christchurch, New Zealand; convertible article of furniture; 27234, 31st January; (18, 24th February).

Christian, A. R., and another, Christchurch, New Zealand; trolley-pole retriever; 27284, 10th February.

Christian, A. R., and another, Christchurch, New Zealand; lowering trolley-pole; 27295, 11th February; (22, 10th March).*

Christian, A. R., and another, Christchurch, New Zealand; lowering trolley-pole; 27344, 19th February; (22, 10th March).*

Christian, A. R., and another, Christchurch, New Zealand; trolley-pole retriever; 27499, 24th March; (37, 21st April).*

Chubb, R. N., Auckland, New Zealand; envelope; 27149, 10th January.

Clark, F., and others, Christchurch, New Zealand; advertisement-displaying; 27128, 10th January; (14, 10th February).*

Clark, H. M., Auckland, New Zealand; ice-chest; 27186, 19th January; (14, 10th February).*

Clark, J., Waitahi, New Zealand (see Laidlaw and Gray, Limited, No. 27355).

Clarkson, W., Feilding, New Zealand; bicycle-pump attaching-clip; 27364, 28th February; (27, 24th March).*

Clayton, C. W., Wanganui, New Zealand; rubber heel; 27435, 16th March.

Clegg, A., and others, Christchurch, New Zealand; advertisement-displaying; 27128, 10th January; (14, 10th February).*

Clegg, C., Sockburn, New Zealand; vehicle-wheel; 27371, 1st March; (27, 24th March).*

Clegg, C., Sockburn, New Zealand; kettle; 27385, 4th March; (27, 24th March).*

Clegg, N., and another, Christchurch, New Zealand; advertising-device; 27345, 21st February; (22, 10th March).*

Clifford, W. J., Toronto, Canada, rifle-sight; 27146, 12th January; (14, 10th February).

Cloudesley, W. J., and another, Christchurch, New Zealand; strainer for wool-press; 27500, 31st March.

Collins, C. G., Woodmere, United States America (see C. A. Stevens, No. 25874).

Colthurst, G. J., Frankton, New Zealand; liquid shine; 27268, 7th February; (18, 24th February).*

Colwill, J., and another, Timaru, New Zealand; telephone sound-proof box; 26083, 16th June, 1909; (8, 27th January).

Colwill, W. H., and another, Timaru, New Zealand; telephone sound-proof box; 26083, 16th June, 1909; (8, 27th January).

Compagnie Française des Produits Lactes Société Anonyme, Paris, France; obtaining vinegar from whey; (Lamouroux); 27391, 4th March.

Condy, J., South Yarra, Victoria (see W. J. Philips, No. 26513).

Cook, J. N., Sydney, New South Wales; tobacco-pipe attachment; 27114, 5th January; (14, 10th February).

APPLICANTS FOR LETTERS PATENT—*continued.*

Corney, N. S., Montreal, Canada; butter-blending machine; 27253, 4th February; (18, 24th February).

Corringham, H. A., and another, Auckland, New Zealand; hat-pin; 27473, 22nd March.

Costello, A., Dargaville, New Zealand; fishing-line; 27406, 7th March.

Cottam, G., and another, Christchurch, New Zealand; railway-tunnel ventilation; 27439, 16th March.

Cotton, A. J., Brisbane, Queensland; utilising power from motor-car engine; 26979, 2nd December, 1909; (27, 24th March).

Coutts, F., and another, Elderslie, Scotland; actuating-mechanism for tram-car life-guard; 26351, 8th August, 1908†; (8, 27th January).

Coutts, J., and another, Dunedin, New Zealand; electric-cable connector; 25504, 28th January, 1909; (8, 27th January).

Cowperthwaite, W. T., Auckland, New Zealand; concrete-block-making machine; 27428, 11th March.

Craddock, A. R., Christchurch, New Zealand; flooring-cramp; 25518, 2nd February, 1909; (14, 10th February, * and 14, 10th February).

Craddock, A. R., Christchurch, New Zealand; flooring-cramp grip; 27370, 28th February; (37, 21st April).

Craw, G., Linton, New Zealand; flax-stripper; 27396, 8th March.

Croxford, G., and another, Christchurch, New Zealand; snow-board; 25929, 11th May, 1909; (27, 24th March).

Cruikshank, C. M., Timaru, New Zealand; egg-carrier; 26982, 2nd December, 1909; (27, 24th March).*

Curtis, T., Auckland, New Zealand; compressed-air system; 27323; 15th February.

Cutten, W., Dunedin, New Zealand; dredge-bucket; 27125, 7th January; (14, 10th February).*

Dalzell, C. B., New York, United States America (see W. H. Lawrence and R. Kennedy, No. 27001).

Darker, A. H., and others, Blackheath, England; secondary battery; 27403, 27th March, 1909.†

Darlington, T., and another, New York, United States America; gem; 27196, 25th January; (18, 24th February).

Darnill, W. W., and another, Leicester, England (see United Shoe Machinery Company, No. 27240).

Darragh, S. F., Wellington, New Zealand; phonograph-trumpet attachment; 27455, 23rd March; (37, 21st April).

Davies, A. H., and another, Dunedin, New Zealand; electric-cable connector; 25504, 28th January, 1909; (8, 27th January).

Davies, E. N., Annandale, New South Wales; turbine water-meter; 27408, 9th March.

Davies, H. W., Wellington, New Zealand; acetylene-gas drier; 27474, 29th March; (37, 21st April).

Davies, N., Hokitika, New Zealand; fire-escape; 27124, 8th January; (8, 27th January).*

Davis, E., and others, Wanganui, New Zealand; water-heater; 27106, 30th December, 1909; (18, 24th February).*

Day, H. F., Gawler, South Australia; water-wheel, &c.; 27148, 13th January; (14, 10th February).

Death, A. C., Napier, New Zealand; electric induction-coil; 27171, 18th January; (22, 10th March).*

Deeble, J. G., Redfern, New South Wales (see J. A. Beales and H. Marsden, No. 27275).

Deister, E., Fort Wayne, United States America; driving-mechanism for ore-concentrator; 27198, 25th January.

De Jersey, C. L., Melbourne, Victoria; paper-bag-making machine; 27241, 3rd February.

De Montalk, R. W., Auckland, New Zealand; ferro-concrete, &c., construction; 27213, 28th January; (14, 10th February).*

Dempsey, H., Blenheim, New Zealand; furniture-reviver; 27218, 31st January; (18, 24th February).*

Dent, T., Christchurch, New Zealand; horse-collar; 26526, 3rd September, 1909; (8, 27th January).

Dick, J. W., and another, Stillwater, New Zealand; bicycle-ticket attaching; 27176, 19th January; (14, 10th February).*

Dickinson, A. C., Christchurch, New Zealand; soiled-linen receptacle; 27413, 10th March.

Dickinson, A. C., and another, Christchurch, New Zealand; soiled-clothes receptacle; 27476, 23rd March.

Dickinson, G., and another, Christchurch, New Zealand; soiled-clothes receptacle; 27476, 23rd March.

Dillimore, L., Thames, New Zealand; hat-pin; 27203, 26th January; (18, 24th February).

Doherty, F., and another, Wellington, New Zealand; tire; 27161; 14th January; (14, 10th February).*

Dodwell, M. G. C., Wellington, New Zealand; tire; 26060, 11th June, 1909; (27, 24th March).

APPLICANTS FOR LETTERS PATENT—*continued.*

Donald, J. and another, Glasgow, Scotland (see W. Cameron, No. 27093).

Donaldson, E. H., Karamea, New Zealand; flax-washer; 25645, 4th March, 1909; (8, 27th January).

Dondey, A., and another, Melbourne, Victoria; high-pressure filter; 27260, 6th March, 1909†; (27, 24th March).

Donner, H., Moscow, Russia; obtaining increase in pressure of liquid; 27441, 15th March; (37, 21st April).

Dornbush, J. P., Auckland, New Zealand; motor; 27317, 18th February; (22, 10th March)*.

Drummond, R., Wellington, New Zealand; tram-car safety-step; 27431, 16th March.

Duggan, W., jun., Dunedin, New Zealand; door and gate closer; 27414, 9th March.

Dunbar, J., Invercargill, New Zealand; couch; 27309, 12th February; (22, 10th March)*.

Duncan, P. and D., Limited, Christchurch, New Zealand; plough; (J. Keir); 27258, 7th February; (18, 24th February)*.

Duthie, D. W., and another, Auckland, New Zealand; dredge; 27324; 17th February.

Duthoit, A., and another, Melbourne, Victoria; boot and shoe; 27356, 24th February; (27, 24th March)*.

Dwight, C. D., and others, Melbourne, Victoria; deck-chair; 27357, 24th February; (27, 24th March).

Earl, M., Otaio, New Zealand; securing skeiths to plough-beams; 27360, 26th February; (22, 10th March)*.

Earnshaw, E. A., Wellington, New Zealand; propeller life-guard; 27255, 3rd February; (18, 24th February)*.

Eckersley, A., Melbourne, Victoria; safety-valve for reservoir; 27184, 20th January; (18, 24th February).

Edgar, D. H., Timaru, New Zealand; saddle cloth and cover; 26028, 2nd June, 1909; (8, 27th January).

Edlin, G. S., and another, Oaonui, New Zealand; exhausting air from closed vessels; 27246, 4th February; (18, 24th February)*.

Edwards, T., Ballarat, Victoria; precipitation of metals; 27101, 30th December, 1909; (22, 10th March).

Ehmer, J. M. M., and another, Beierfeld, Germany; talking-machine; 27492, 1st May, 1909.†

Elliott, J., London, England (see J. T. Hunter, No. 27411).

Engel, K., Arlington Heights, United States America (see United Shoe Machinery Company, No. 26010).

Eustege, T. P., and another, Wellington, New Zealand; teacan; 27380, 2nd March.

Falconer, T., and another, Gore, New Zealand; chaff-cutter-knife sharpening; 27243, 3rd February; (18, 24th February)*.

Falkner, A., Kaiparoro, New Zealand; building-construction; 27471, 23rd March; (37, 21st April)*.

Fannin, H., Masterton, New Zealand; motor-car, &c., wheel; 27129, 10th January; (14, 10th February)*.

Ferguson, G. A., and another, Owen Sound, Canada; neck-tie holder; 26750, 15th October, 1909; (22, 10th March).

Fergusson, P. H., Sydney, New South Wales; wire-strainer; 27353, 24th February; (27, 24th March).

Fiddy, F. C. P., and another, Gisborne, New Zealand; closet-seat; 27320, 15th February.

Files, T. H., Everett, United States America; boot and shoe making; 27134, 19th March, 1909†; (18, 24th February).

Findlay, W., Auckland, New Zealand; brush and broom making; 27329, 18th February; (22, 10th March)*.

Finnerty, H. G., and another, Wellington, New Zealand; operating tramway-points; 27117, 5th January; (8, 27th January)*.

Fischer, A., Adelaide, South Australia; washing-machine; 27147, 13th January; (14, 10th February).

Fisher, H., Wellington, New Zealand; life-saving apparatus; 26431, 17th August, 1909; 27, 24th March).

Fisher, W., Waimate, New Zealand; cooling-vessel manufacture; 27158, 13th January; (18, 24th February).

Flynt, L. W. G., Rochester, United States America (see Q. W. Booth, No. 25771).

Flynt, L. W. G., Rochester, United States America (see United Shoe Machinery Company, No. 27131).

Foote, H. A., Dunedin, New Zealand; water-motor; 27464, 22nd March; (37, 21st April)*.

Forrester, P. C., and another, Chicago, United States America; pulveriser; 27381, 2nd March.

Foster, E., Auckland, New Zealand; steam-boiler insulation-composition; 27373, 2nd March; (27, 24th March)*.

Fraser, A., and another, Invercargill, New Zealand; milk-cooler; 27425, 9th March.

Fraser, J. C., Coromandel, New Zealand; water-wheel bucket; 27315, 18th February.

Fraser, K. M., Otakeho, New Zealand; aeroplane; 27491, 31st March; (37, 21st April).

APPLICANTS FOR LETTERS PATENT—*continued.*

Friend, H. L., Auckland, New Zealand; step-annunciator; 27412, 11th March; (37, 21st April)*.

Frith, W. H., Oamaru, New Zealand; window; 27285, 12th February; (22, 10th March)*.

Fulljames, S. V., Whangarei, New Zealand; tank-flange; 27205, 24th January; (18, 24th February)*.

Furber, F. M., Revere, United States America (see United Shoe Machinery Company, No. 27137).

Galt, J., and another, Invercargill, New Zealand; milk-cooler; 27425, 9th March.

Gardiner, A., and another, Wellington, New Zealand; milk-cooler; 27294, 14th February; (22, 10th March).

Gardiner, J. C., Montreal, Canada; writing-machine; 27314, 16th February.

Gardner, A., Wellington, New Zealand; tramway-track cleaner; 27402, 9th March.

Gardner, E. B., Hobart, Tasmania; building-block manufacture; 27202, 25th January; (14, 10th February)*.

Gelling, S. T., Braddan, Isle of Man; pump; 27450, 22nd March; (37, 21st April).

Gesellschaft fur drahtlose Telegraphie m. b. H. (see E. Phillips, No. 27276).

Gibson, J. G., and another, Leicester, England (see United Shoe Machinery Company, No. 27195).

Giles, R. H., and another, Otaki, New Zealand; bootmaker's last-stand; 26760, 19th October, 1909; (18, 24th February).

Gilmour, D., Auckland, New Zealand; step-ladder; 27283, 11th February; (18, 24th February)*.

Goodrum, C. L., Urbana, United States America (see American Automatic Telephone Company, No. 27259).

Gore, H. C., Dunedin, New Zealand; stereoscopic post-card; 27142, 11th January.

Gough, F. W., Wellington, New Zealand; tap or cock; 27469, 24th March; (37, 21st April)*.

Grace, L. G., Hawera, New Zealand; pump and siphon, &c.; 27166, 15th January; (14, 10th February)*.

Graham, A. V., Linwood, New Zealand; carcass, &c., brander; 27418, 12th March.

Gray, A., and another, Gisborne, New Zealand; water tank and cooler; 27244, 3rd March.

Gray, G., Dunedin, New Zealand; plough; 27389, 3rd March; (27, 24th March)*.

Greenwood, E. W., Melbourne, Victoria; roller-blind fittings; 27407, 10th March.

Greig, H., Foxton, New Zealand; flax-stripper; 27386, 4th March; (27, 24th March)*.

Grey (see Humphreys-Grey).

Grieve, J. M., Wallacetown, New Zealand; motor-car; 27352, 24th February; (27, 24th March)*.

Griffin, P. J., and another, Wellington, New Zealand; teacan; 27380, 2nd March.

Grip-nut Company, Chicago, United States America (see Chipman Limited, No. 27175).

Gunstone, H. H., Sheffield, England; railway, &c., buffer and central draw-bar gear; 27304, 15th February.

Hale, E., Kaikuri, New Zealand; lamb-searing appliance; 27416, 11th March.

Hall, J. W., and another, Auckland, New Zealand; non-refillable bottle; 27434, 12th March.

Hamburger, R., Sydney, New South Wales; lubricating axles; 27174, 19th January.

Hamilton, W., Hamilton, New Zealand; threshing-mill belt-reel; 27427, 12th March.

Hamlin, E. A. G., Napier, New Zealand; ice-chest; 27115, 5th January; (14, 10th February)*.

Hammond, G., and another, Hartford, United States America; gun; 27196, 25th January; (18, 24th February).

Hanna, J., Invercargill, New Zealand; cleaning and separating seeds; 25780, 31st March, 1909; (14, 10th February).

Hannam, W. H., Sydney, New South Wales (see Hannam's Limited, No. 25959).

Hannam's Limited, Sydney, New South Wales; water-heater; (W. H. Hannam); 25959, 20th May, 1909; (22, 10th March).

Hansen, A. H., Manaia, New Zealand; animal-leg fastener; 27290, 14th February; (18, 24th February)*.

Hardley, C. E., and others, Auckland, New Zealand; spouting-bracket; 27215, 27th January; (18, 24th February).

Hardley, J. W., and others, Auckland, New Zealand; spouting-bracket; 27215, 27th January; (18, 24th February).

Hardley, S., Hamilton, New Zealand; milk cooler and aerator; 27214, 27th January; (22, 10th March).

Hardley, S., jun., and others, Hamilton, New Zealand; spouting-bracket; 27215, 27th January; (18, 24th February).

APPLICANTS FOR LETTERS PATENT—*continued.*

Hargreaves, J., and others, Leederville, West Australia; spark-arrester; 27311, 16th February.

Hart, J. R., and another, Ashburton, New Zealand; window-sash lock; 27303, 15th February; (22, 10th March).*

Harvey, D. H., Taumarunui, New Zealand; hat-pin; 27322, 18th February.

Haslam, W., Melbourne, Victoria (see J. G. Mitchell, No. 27179).

Hastings, P., and another, Hastings, New Zealand; skylight; 27489; 31st March; (37, 21st April).

Hawkins, C. A. B. P., and others, Napier, New Zealand; aeroplane; 25865, 26th April, 1909; (18, 24th February).

Haworth, R. D., Wellington, New Zealand; box; 27233, 2nd February; (18, 24th February).*

Hay, A. B., and another, Owen Sound, Canada; necktie-holder; 26750, 15th October, 1909; (22, 10th March).

Henderson, J. R., Sydney, New South Wales; fish-preserving; 27351, 24th February; (27, 24th March).

Hennequin, E. C., Ilford, England; music-leaf-turning device; 27312, 19th February, 1909.†

Herbert, A. H., and others, Eketahuna, New Zealand; closet-flush; 27177, 19th January; (14, 10th February).*

Hesketh, F. N., and another, Auckland, New Zealand; air brake; 27333, 21st February; 22, 10th March).*

Hewett, H. O., and another, Wellington, New Zealand; hosiery-knitting machine; 27157, 13th January; (8, 27th January).*

Higgins, M., and another, Mercer, New Zealand; air brake; 27333, 21st February; (22, 10th March).*

Hill, H. T., Takapuna, New Zealand; swingletree-attachment; 27182, 18th January; (18, 24th February).

Hill, P. L., Okete, New Zealand; butter-making machine; 27507, 31st March.

Hill, R. W., Geelong, Victoria, chaff-cutter-knife mounting; 27378, 2nd March; (27, 24th March).

Hobbs, R. J., Bluff, New Zealand; manure-mixing, &c.; 27187, 21st January; (14, 10th February).*

Hodder, C. N., and another, Christchurch, New Zealand; advertising-device; 27345, 21st February; (22, 10th March).*

Holland, E., Auckland, New Zealand; internal-combustion engine; 27365, 26th February; (27, 24th March).*

Holland, C. E., and another, Healesville, Victoria, Australia; collar for neckwear; 27490, 14th September, 1909.†

Holmes, C. P., Lynn, United States America (see S. W. Winslow, No. 25888).

Howse, W. T., Auckland, New Zealand; motive power; 27181, 18th January; (18, 24th February).*

Hoyland, W., Wellington, New Zealand; show-case; 27212, 28th January; (18, 24th February).*

Hoyland, W., Wellington, New Zealand; box; 27216, 29th January; (18, 24th February).*

Hoyland, W., Wellington, New Zealand; metal-clip system for show-case; 27328, 19th February; (27, 24th March).

Huber, A., Okaiawa, New Zealand; holding teat-cup in position; 27397, 8th March.

Hughes, H. B., Auckland, New Zealand; connecting inflator to pneumatic tire; 27123, 8th January; (18, 24th February).*

Hulbert, J. B., Nelson, New Zealand; boot, &c., heel and sole; 27346, 23rd February; (22, 10th March).*

Hulbert, J. B., Nelson, New Zealand; boot, &c., last; 27347, 23rd February; (22, 10th March).*

Hume, E. F., Dunedin, New Zealand; corset; 27271, 8th February; (18, 24th February).*

Humphreys-Grey, W. and another, Hawthorn, Victoria; boot and shoe; 27356, 24th February; (27, 24th March).*

Hunter, J. D., Dunedin, New Zealand; pasteurising-apparatus; 27224, 29th January; (18, 24th February).

Hunter, J. T., Wellington, New Zealand; steam-generator (S. J. Ross and H. Schofield); 27340, 22nd February.

Hunter, J. T., Wellington, New Zealand; advertising-machine (J. Elliott); 27411, 10th March.

Hutchings, J., London, England; pumping-engine; 25434, 12th January, 1909; (8, 27th January).

Hutton, D. L., and another, Dunedin, New Zealand; water-main motor; 27116, 4th January; (14, 10th February).

Hydrocarbon Converter Company, New York, United States America; gas-manufacture; (E. B. Benham) 27228, 1st February; (22, 10th March).

Hynes, J. R., and another, Foxton, New Zealand; tow separator and conveyer; 27139, 11th January; (8, 27th January).*

Isherwood, P. C. C., Leytonstone, England, filtering-apparatus; 27453, 22nd March.

APPLICANTS FOR LETTERS PATENT—*continued.*

Jackson, J. W., New Plymouth, New Zealand; stopping sand from drifting; 27265, 8th February; (22, 10th March).*

Jacobsen, T. B., Auckland, New Zealand; mono-rail railway; 27395, 4th March; (27, 24th March).*

Jameson, T., Frankton Junction, New Zealand; burglar-alarm; 27319, 18th February; (22, 10th March).*

Jensen, J. D., and another, Healesville, Victoria; collar for neckwear; 27490, 14th September, 1909.†

Jersey (see de Jersey).

Johnson, A. E., Beverley, United States America; (see United Shoe Machinery Company, No. 27132).

Johnston, G. G., Sydney, New South Wales; tire; 26559, 15th April, 1909;† (18, 24th February).

Jones, A. I., Feilding, New Zealand; flax-dressing machine; 27163, 15th January; (14, 10th February).*

Jones, J., and another, Melbourne, Victoria; ore-treatment; 27330, 18th February; (22, 10th March).*

Jones, J. O., Manaia, New Zealand; milk cooler and aerator; 27419, 12th March.

Jones, W. G. Y., London, England; pneumatic tire; 27409, 6th October, 1909.†

Joosten, K., and another, Christchurch, New Zealand; milk &c., refrigerator; 27173, 17th January; (14, 10th February).*

Joy, W. G., and another, Auckland, New Zealand; 27473, 22nd March.

Kainer, F. C., South Haven, United States America; cigar-venting machine; 27245, 17th March, 1909.†

Keir, J., Sydenham, New Zealand (see P. and D. Duncan, Limited, No. 27258).

Kelly, J. B., Johnsonville, New Zealand; acetylene-generator; 27349, 23rd February.

Kennedy, R., and another, Glasgow, Scotland; vacuum-pump; (C. B. Dalzell); 27001, 6th December, 1909; (14, 10th February).

Kennedy, R., and another, Glasgow, Scotland; milking-machine; (F. A. Lane); 27046, 15th December, 1909; (14, 10th February).

Kennedy, R., and another, Glasgow, Scotland; milking-machine; 27410, 10th March.

Keppell, J. J., Lawrence, New Zealand; wire-strainer; 27307, 14th February; (37, 21st April).*

Kerby, F., Paddington, New South Wales; mill-belt fastener; 27433, 16th March.

Kidd, T., Invercargill, New Zealand; milking-apparatus; 27293, 11th February.

King, G., and another, Wellington, New Zealand; kerosene, &c., filling appliance; 27286, 12th February; (18, 24th February),* and 27, 24th March).

King, G., and another, Wellington, New Zealand; music-holder; 27287, 12th February; (18, 24th February),* and 27, 24th March).

Kingswell, P. N., and another, Auckland, New Zealand; dredging; 27324, 17th February.

Kirkbride, J. L., Auckland, New Zealand; trolley-pole; 27359, 26th February; (22, 10th March).*

Kozegi, K., and another, Baja, Hungary; cultivator; 27479, 30th March; (37, 21st April).

Kruskopf, J. S., Hindon, New Zealand; window-sash; 27291, 11th February; (22, 10th March).

Laffey, J., and another, Cromwell, New Zealand; water-main motor; 27116, 4th January; (14, 10th February).

Laidlaw and Gray, Limited, Dunedin, New Zealand; rabbit-trap; (J. Clark); 27355, 22nd February.

Lambie, R., jun., and another, Pihama, New Zealand; exhausting air from closed vessels; 27246, 4th February; (18, 24th February).*

Lamouroux (see Compagnie Française des Produits Lactes Société Anonyme, No. 27391).

Lanchester, E. N., Otaki, New Zealand; binding paint-brush; 27222, 1st February; (18, 24th February).*

Land, G., and another, Hastings, New Zealand; skylight; 27489, 31st March; (37, 21st April).

Lane, F. A., New York, United States America (see W. H. Lawrence and R. Kennedy, No. 27046).

Lang, G., and another, Pollokshields, Scotland; saucepan; 27452, 22nd March; (37, 21st April).

Larcombe, E., Wellington, New Zealand; caisson; 27232, 2nd February; (18, 24th February).*

Latham, R., Ngaruawahia, New Zealand; rifle; 27230, 28th January; (22, 10th March).*

Latham, R., Ngaruawahia, New Zealand; cooling breech, &c., of rifle; 27231, 28th January; (22, 10th March).*

Lawrence, W. H., and another, Pollokshields, Scotland; vacuum-pump; (C. B. Dalzell); 27001, 6th December, 1909; (14, 10th February).

APPLICANTS FOR LETTERS PATENT—*continued.*

Lawrence, W. H., and another, Pollokshields, Scotland; milking-machine; (F. A. Lane); 27046, 15th December, 1909; (14, 10th February).

Lawrence, W. H., and another, Pollokshields, Scotland; milking-machine; 27410, 10th March.

Lawrie, J. S., Dunedin, New Zealand; piston-rod packing-device; 27445, 18th March; (37, 21st April).*

Lee, G. A., and others, Dunedin, New Zealand; sliding-door; 27200, 24th January; (14, 10th February).*

Leitch, A., and another, Blackball, New Zealand; bicycle-ticket attaching; 27176, 19th January; (14, 10th February).*

Leslie, E. A., and another, Glasgow, Scotland (see W. Cameron, No. 27093).

Levien, E. P., Wellington, New Zealand; flax-dressing machine; 27331, 21st February; (22, 10th March).*

Lewis, W., Wellington, New Zealand; acetylene-generator; 27192, 24th January; (14, 10th February).*

Lietz, W. F., Wellington, New Zealand; dry closet; 27197, 25th January; (14, 10th February).*

Lindstrom, K. I., Nykvarn, Sweden; milking-machine; 26481, 26th August, 1909; (8, 27th January).

Lindstrom, K. I., Nykvarn, Sweden; changing continuous pressure into an intermittent one; 27110, 4th January; (14, 10th February).

Little, H. P., and another, Wellington, New Zealand; aeroplane; 27467, 24th March.

Lockett, G. H., and another, Gisborne, New Zealand; closet-seat; 27320, 15th February.

Long, T. F., Gisborne, New Zealand; billiard-cue attachment; 27281, 8th February.

Longdin, F. E., Christchurch, New Zealand; bicycle outlery grinder and polisher; 27341, 21st February.

Loudon, J., and others, Dunedin, New Zealand; sliding-door; 27200, 24th January; (14, 10th February).*

Love, W. J., and another, Burnside, New Zealand; cement-manufacture; 27282, 9th February; (22, 10th March).*

Low, T. A., Renfrew, Canada; cream-separator; (G. T. Soderstrom); 27112, 4th January; (14, 10th February).

Lumiere, L., Lyons, France; acoustical instrument; 26166, 25th July, 1908†; (8, 27th January).

M. and S. Drill Company, San Francisco, United States America; drill; (H. W. Muhleisen); 27478, 30th March.

Magnus, P., Northcote, Victoria, Australia; motor-tire tread; 27130, 11th January; (18, 24th February).

Marsden, H., and another, Sydney, New South Wales; signal-displaying apparatus; (J. G. Deeble); 27275, 10th February; (22, 10th March).*

Marshall, J. T., and another, Leeds, England; slide-valve for engine; 27272, 9th February.

Marshall, R. F., and another, Invercargill; vehicle-wheel; 27221, 27th January; (22, 10th March).*

Martin, W. M., Redruth, England; ore-separation; 27210, 24th February, 1909.†

Mason (see Blair-Mason).

Massey, G., Sydney, New South Wales; sheep-shearing machine; 27461, 23rd March; (37, 21st April).*

Massey-Harris Company, Limited, Toronto, Canada; bearings; (C. McLeod); 27151, 11th January; (22, 10th March).

Massey, R., Sydney, New South Wales; attaching collars to blouses, &c.; 27358, 24th February; (27, 24th March).

Maunder, R. S., Hawera, New Zealand; milk releaser and conveyer; 27401, 9th March; (27, 24th March).*

May, F. E., and others, Sydney, New South Wales; wardrobe; 27273, 9th February; (18, 24th February).

May, R., and others, Sydney, New South Wales; wardrobe; 27273, 9th February; (18, 24th February).

McCrae, D., Wellington, New Zealand; mattress; 27188, 21st January; (18, 24th February).

McDonald, F. J., Dunedin, New Zealand; steaming-valve; 27343, 23rd March.

MacDonald, J. L., Halcombe, New Zealand; skeith, &c., axle; 27458; 23rd March; (37, 21st April).*

MacDonald, P. N. M., Napier, New Zealand; envelope-sealing machine; 27140, 11th January; (14, 10th February).*

MacEwan, J. B., and Co., Limited, Wellington, New Zealand; milking-apparatus claw; (A. B. Robertson); 27145, 12th January; (8, 27th January).*

MacLeod, J., Eltham, New Zealand; blouse-fastener; 27334, 21st February.

McEwen, M., and another, Glasgow, Scotland; saucepan; 27452, 22nd March; (37, 21st April).*

McFeely, R. F., Beverly, United States America; pulling-over machine; 27236, 19th April, 1909†; (22, 10th March).

McGaffin, R., Hastings, New Zealand; flax-catcher; 27338, 18th February; (22, 10th March).*

APPLICANTS FOR LETTERS PATENT—*continued.*

McGaffin, R., Hastings, New Zealand; flax-conveyer holding-device; 27339, 18th February; (22, 10th March).*

Macgregor, W. P. S., Wondonside, New Zealand; reel for wire-tightener; 25822, 8th April, 1909; (18, 24th February).

McKay, W. A., Wellington, New Zealand; water-wheel; 27208, 27th January; (18, 24th February).*

McKerihan, J. R., and another, Casino, New South Wales; butter-cutter; 27301, 15th February; (22, 10th March).

McKinnon, J. A., Riverton, New Zealand; couch, &c.; 27463, 22nd March; (37, 21st April).*

McLaren, H., and another, Leeds, England; steam, &c., plough; 27189, 19th January; (18, 24th February).

McLaren, J., and another, Leeds, England; steam, &c., plough; 27189, 19th January; (18, 24th February).

McLean, D., North Shields, England; chimney-draught inducer; 27430, 15th March; (37, 21st April).*

McLean, F. R., Waipatiki, New Zealand; turbine; 27256, 7th February.

McLeod, A., Auckland, New Zealand; califont; 27462, 22nd March.

McLeod, C., Toronto, Canada (see Massey-Harris Company, Limited, No. 27151).

McLeod, J. H., Carterton, New Zealand; milk-cooler; 27180, 17th January.

McLeod, W., Wanganui, New Zealand; seat; 27229, 1st February; (18, 24th February).*

McNaught, W. A., Dunedin, New Zealand; wool-classing chart; 27400, 7th March.

McNaughton, R., Warragul, Victoria; axle-cap; 27172, 18th January; (14, 10th February).*

Mellor, J. F., Adelaide, South Australia; stump-jumping agricultural implement; (J. A. Shearer); 27154, 13th January; (18, 24th February).

Mercer, H. A., and others, Melbourne, Victoria; deck-chair; 27357, 24th February; (27, 24th March).

Messerschmidt, C. W. V., Copenhagen, Denmark; metal capsule; 27308, 16th February; (27, 24th March).

Meszaros, J., London, England; filament, electric lamp; 26649, 28th September, 1909; (14, 10th February).

Metcalfe, G., New Plymouth, New Zealand; puncture-resisting material; 27299, 14th February.

Metzenhain, J. E., Palmerston North, New Zealand; milking-machine pulsator; 27119, 6th January; (8, 27th January).*

Mendell, W. G., Melbourne, Victoria; fuel-manufacture; (C. B. Teasdale); 27367, 1st March.

Midas, Limited, London, England; leather-polish; (A. W. Urmetzer); 27465, 22nd March.

Milburn Lime and Cement Company, Limited, Dunedin, New Zealand; cement-manufacture; (F. Oakden); 25947, 11th May, 1909; (27, 24th March).

Mildenhall, T. J., Oponake, New Zealand; horse-cover; 27484, 30th March.

Miller, J. W., and another, Casino, New South Wales; butter-cutter; 27301, 15th February; (22, 10th March).

Mills, C., Christchurch, New Zealand; driving away flies; 27296, 14th February; (22, 10th March).*

Mills, C., Christchurch, New Zealand; advertising-device; 27399, 8th March.

Milne, W., Hawera, New Zealand; milk educter and release; 27436, 16th March.

Milne, W., Hawera, New Zealand; air-exhauster; 27472, 29th March.

Mitchell, J., Auckland, New Zealand; plug for concrete walls, &c.; 27054, 18th December, 1909; (27, 24th March).

Mitchell, J., Auckland, New Zealand; safety device for key-ring; 27332, 21st February; (22, 10th March).*

Mitchell, J., Auckland, New Zealand; hinge; 27348, 23rd February (27, 24th March).*

Mitchell, J., Auckland, New Zealand; window-sash; 27449, 19th March.

Mitchell, J. G., Melbourne, Victoria; boot-heel; (W. Haslam); 27179, 19th January; (18, 24th February).

Mono Service Vessels, Limited, London, England; paper-vessel manufacture; (E. Z. Taylor); 27072, 21st December, 1909; (14, 10th February).

Mono Service Vessels, Limited, London, England; paper-tube manufacture; (E. Z. Taylor); 27480, 30th March; (37, 21st April).

Montalk (see de Montalk).

Monteath, C. B., Melbourne, Victoria; flushing-cistern; 26716, 12th October, 1909; (18, 24th February).

Moore, A., Christchurch, New Zealand; bicycle; 27325, 18th February; (22, 10th March).*

Moore, R. F., Auckland, New Zealand; reinforced-concrete structure; 27162, 12th January; (14, 10th February).*

Morley, G. H., Mahora North, New Zealand; preventing steam escaping from broken gauge-glass; 27493, 24th March.

APPLICANTS FOR LETTERS PATENT - *continued.*

- Morse, C. O., and another, Gisborne, New Zealand; water tank and cooler; 27244, 3rd February.
- Morton, W., Dunedin, New Zealand; hat-pin; 27362; 26th February.
- Moss, E., Dallington, New Zealand; stamping-machine, &c., ribbon-feeder; 27415, 11th March.
- Muhleisen, H. W., San Francisco, United States America (see M. and S. Drill Company, No. 27478).
- Murphy, T. J., Rochester, United States America; electricity-rectifier; 27155, 13th January.
- Murray, D., London, England; telegraph system; 26826; 11th December, 1908†; (14, 10th February).
- Nairn, C. J., and others, Pourere, New Zealand; aeroplane; 25865, 26th April, 1909; (18, 24th February).
- Neff, C., and another, Hanover, Germany; treatment of liquids; 27429, 15th March; (37, 21st April).
- Neff, C., and another, Hanover, Germany; preventing the incrustation of steam-generators; 27454, 22nd March.
- Neill, J., Sheffield, England; file-manufacturing tool; 27451, 22nd March.
- Neilson, J. L., Dunedin, New Zealand; Boot and shoe protector; 27289, 10th February; (22, 10th March).*
- Nelson, T. H., and another, Wellington, New Zealand; window-sash lock; 27303, 15th February; (22, 10th March).*
- Nevill, E., Napier, New Zealand; aeroplane; 27227, 1st February; (18, 24th February).*
- Neville, F. H. R., and another, Wellington, New Zealand; Suction-light adapter; 27420, 11th March.
- Nicholls, L. A., Kyabram, Victoria; securing lamps to road-vehicles; 27122, 6th January; (8, 27th January).*
- Nicklin, C. J., Wellington, New Zealand; preserving-jar; 27475, 29th March; (37, 21st April).*
- Nielsen, G., and another, Waipawa, New Zealand; power-transmission; 27266, 8th February; (18, 24th February).*
- Nier, E., and another, Beierfeld, Germany; talking-machine; 27492, 1st May, 1909.†
- Norgrove, W., Wellington, New Zealand; rotary steam-engine; 27217, 31st January; (22, 10th March).*
- Noy, H. G. W. L., Timaru, New Zealand; union screw for dredge; 27361, 25th February; (22, 10th March).*
- Oakden, F., Dunedin, New Zealand (see Milburn Lime and Cement Company, Limited, No. 25947).
- O'Brien, T. R., Dacre, New Zealand; turnip thinner and hoeing machine; 27468, 24th March; (37, 21st April).*
- O'Doherty, J. J., Prahran, Victoria; road-vehicle brake; 27437, 14th March.
- Ogilvie, B., and others, Napier, New Zealand; aeroplane; 25865, 26th April, 1909; (18, 24th February).
- Ogilvie, R., Timaru, New Zealand; motor-car variable-speed gear; 27219, 31st January; (18, 24th February).*
- Osborn, S. S., Germiston, Transvaal; tube-mill lining; 25839, 16th April, 1909; (18, 24th February).
- Ottaway, F. C., Puha, New Zealand; life buoy and boat; 27092, 24th December, 1909; (14, 10th February).*
- Page, E., and others, Eketahuna, New Zealand; water-closet flush; 27177, 19th January; (4, 10th February).*
- Palmer, R. G., Blenheim, New Zealand; life-saving raft; 25668, 8th March, 1909; (8, 27th January).
- Pargeter, T., and others, Wanganui, New Zealand; water-heater; 27106, 30th December, 1909; (18, 24th February).*
- Park, A. J., Dunedin, New Zealand; franking-machine; 27342, 19th February; (27, 24th March).*
- Park, A. V., Melbourne, Victoria; valve; 27494, 20th May, 1909†; (37, 21st April).
- Parlour, S. C., Morrinsville, New Zealand; flax-catcher; 27206, 25th January; (18, 24th February).*
- Pauly, A. A., Youngstown, United States America; forming artificial stone; 27209, 26th January; (22, 10th March).
- Pearson, G. L., Christchurch, New Zealand; well-boring appliance; 25476, 21st January, 1909; (8, 27th January).
- Pechugin, J., and another, Kaiwarra, New Zealand; aeroplane; 27467, 24th March.
- Peez, O., and another, Opawa, New Zealand; milk, &c., refrigerator; 27173, 17th January; (14, 10th February).*
- Pegg, G., and another, Leicester, England (see United Shoe Machinery Company, No. 27195).
- Perney, G. W., Gore, New Zealand; tooth-harrow and draught-equaliser; 27426, 12th March.
- Perry, A. M., Kihikihiki, New Zealand; pneumatic-tire inner tube; 27165, 15th January.
- Perry, F. H., Beverly, United States America (see United Shoe Machinery Company, Nos. 27238, 27239).
- Pettitt, H., Dunedin, New Zealand; gate-lock; 27384, 1st March; (27, 24th March).*

APPLICANTS FOR LETTERS PATENT—*continued.*

- Phillips, W. J., Melbourne, Victoria; cooking-utensil; (J. Condy); 26513, 2nd September, 1909; (18, 24th February).
- Phillips, E., Melbourne, Victoria; electrical oscillation-producer; (Gesellschaft fur drahtlose Telegraphic m. b. H. —G. G. von Arco and R. H. Rendahl); 27276, 10th February; (22, 10th March).
- Phillips, F., and others, Wellington, New Zealand; bull-rope cleat; 27443, 18th March.
- Phillips, G. W., Christchurch, New Zealand; hat-pin-point protector; 27498, 30th March; (37, 21st April).*
- Pickering, P. S. U., and another, Ridgmont, England; fungicide; 27481, 22nd July, 1909†; (37, 21st April).
- Pickering, T. J., Leeston, New Zealand; photograph-printer; 27277, 10th February; (18, 24th February).*
- Pike, A. S., and another, Wellington, New Zealand; suction-light adapter; 27420, 11th March.
- Pike, H. R., and another, Sydney, New South Wales; book clip and suspender; 26204, 5th July, 1909; (14, 10th February).
- Pill, N. W., Newport, England; gas-manufacture; 26397, 13th August, 1908†; (8, 27th January).
- Pirie, A. W., Napier, New Zealand; skylight; 27164, 15th January.
- Pond, S., Blandford, England (see S. F. Pond, No. 27310).
- Pond, S. F., Melbourne, Victoria; curd-cutting, &c., knife; (S. Pond); 27310, 16th February; (22, 10th March).*
- Popkess, M. A., Kansas City, United States America; roadway-surfacing; 27269, 5th February; (18, 24th February).
- Porteous, W. V., and another; Wanganui, New Zealand; pneumatic boot-heel and boot-ventilator; 27297, 15th February; (22, 10th March).*
- Pound, O. E., and others; Melbourne, Victoria; cot-attachment to bed; 27374, 2nd March; (27, 24th March).
- Price, J. V., Christchurch, New Zealand; relief-block printing; 27257, 8th February; (18, 24th February).*
- Railton, A. W., and others, Sydney, New South Wales; wardrobe; 27273, 9th February; (18, 24th February).
- Rainbow, W., and others, Christchurch, New Zealand; displaying advertisements; 27128, 10th January; (14, 10th February).*
- Ramage, A. S., Buffalo, United States America; recovering iron from ores; 27109, 4th January; (22, 10th March).
- Raper, F., Balclutha, New Zealand; rifle-snapshot recorder; 27225, 27th January.
- Rendahl, R. H., and another, Berlin, Germany (see E. Phillips, No. 27276).
- Retter, J. C., and another, Otaki, New Zealand; bootmakers' last-stand; 26760, 19th October, 1909; (18, 24th February).
- Reynolds, E. A., and another, Christchurch, New Zealand; automatically retrieving trolley-poles; 27284, 10th February.
- Reynolds, E. A., and another, Christchurch, New Zealand; lowering trolley-poles; 27295, 11th February; (22, 10th March).*
- Reynolds, E. A., and another, Christchurch, New Zealand; lowering trolley-poles; 27344, 19th February; (22, 10th March).*
- Reynolds, E. A., and another, Christchurch, New Zealand; trolley-pole retriever; 27499, 24th March; (37, 21st April).*
- Richardson, E., and another, Hawthorn, Victoria; engine slide-valve; 27272, 9th February.
- Richardson, G. J., Auckland, New Zealand; window-dressing apparatus; 27466, 21st March.
- Ridd, A., Waipuku, New Zealand; milking-machine; 25683, 12th March, 1909; (18, 24th February).
- Ridd, A., Waipuku, New Zealand (see Ridd Milking-machine Company, Limited, No. 27337).
- Ridd, A., New Plymouth, New Zealand; milking-machine pulsator; 27457, 23rd March.
- Ridd Milking-machine Company, Limited, New Plymouth, New Zealand; milking-machine pulsator; (A. Ridd); 27337, 21st February; (22, 10th March).*
- Ries, E. E., New York, United States America; metal-pipe and tubing manufacture; 27237, 3rd February.
- Robbins, W. J., and another, Wellington, New Zealand; pneumatic tire; 27161, 14th January; (14, 10th February).*
- Robertson, R., Liverpool, England; spade; 27488, 14th April, 1909.†
- Robinson, H. C., London, England; slide-rest; 26714, 12th October, 1908†; (27, 24th March).
- Robson, H., Te Rehunge, New Zealand; venetian, &c., blind; 27207, 27th January.
- Robertson, A. B., New Plymouth, New Zealand (see J. B. MacEwan and Co., Limited, No. 27145).
- Roche, S., Wellington, New Zealand; rheumatism-cure, &c.; 27194, 25th January; (18, 24th February).*

APPLICANTS FOR LETTERS PATENT—*continued.*

- Rolfe, H. C. L., Melbourne, Victoria; carburetter; 26256, 20th July, 1909; (18, 24th February).
- Roots, A. E., Lower Hutt, New Zealand; electricity-conductor hanger; 27392, 7th March; (27, 24th March).*
- Roseman, S. G., Auckland, New Zealand; brush-manufacture; 25711, 19th March, 1909; (14, 10th February).
- Roseman, S. G., Auckland, New Zealand; broom or brush manufacture; 27251, 5th February; (18, 24th February).*
- Ross, C. H. A. F. L., Belnagown Castle, Scotland (see E. S. Baldwin, No. 27375).
- Ross, C. H. A. F. L., Belnagown Castle, Scotland (see E. S. Baldwin, No. 27376).
- Ross, S. J., and another, London, England (see J. T. Hunter, No. 27340).
- Sabroe, T. T., Copenhagen, Denmark; milking-cup; 27075, 21st December, 1909; (14, 10th February).
- Sabroe, T. T., Copenhagen, Denmark; pneumatic milking pulsator-slide; 27366, 1st March.
- Saunders, J. H., Mylor, South Australia; pump-piston buckets; 27263, 8th February; (18, 24th February).*
- Saunders, J. H., Mylor, South Australia; pumping machinery; 27264, 8th February; (18, 24th February).*
- Savage, T., Taneatua, New Zealand; candle-extinguisher; 27298, 15th February; (27, 24th March).*
- Schmidt, W., and another, Cassel-Wilhelmshohe, Germany; locomotive steam-superheater; 27438, 15th March; (37, 21st April).
- Schofield, H., and another, London, England (see J. T. Hunter, No. 27340).
- Schwer, E., Enmore, New South Wales; bath-water heater, &c.; 27460, 23rd March.
- Scott, J., Broadford, Victoria; railway-car brake-mechanism; 27404, 9th March.
- Scott, W., Christchurch, New Zealand; trolley-pole gear; 27321, 18th February; (22, 10th March).*
- Seale, C. W., Croydon, New South Wales; pipe-union joint; 27442, 18th March.
- Senior, T., Petone, New Zealand; milk-bucket; 27211, 28th January; (14, 10th February).*
- Sewill, H., London, England; suspending bird-cages, &c.; 27144, 19th March, 1909†; (14, 10th February).
- Sextie, C., Auckland, New Zealand; leather-finishing solution; 27081, 21st December, 1909; (22, 10th March).*
- Shearer, J. A., Unley, South Australia (see J. F. Mellor, No. 27154).
- Siddans, T., Wellington, New Zealand; box for counters, &c.; 25964, 21st May, 1909; (27, 24th March).
- Silberrad, O., Essex, England; dressing of leather; 27010, 7th December, 1909; (18, 24th February).
- Simonson, A., and another, Masterton, New Zealand; kerosene, &c., filling appliance; 27286, 12th February; (18, 24th February).*
- Simonson, A., and another, Masterton, New Zealand; music-holder; 27287, 12th February; (18, 24th February)* and 27, 24th March).
- Sims, A. H., Echuca, Victoria; churn and butter-worker; 27313, 16th February; (22, 10th March).
- Skelsey, F. W., and another, Burnside, New Zealand; cement-manufacture; 27282, 9th February; (22, 10th March).*
- Smaill, J., Timaru, New Zealand; fishplate; 27486, 31st March.
- Smith, A. L., New York, United States America; carton; 27278, 10th February; (22, 10th March).
- Smith, H. W., Auckland, New Zealand; hat-pin; 27118, 5th January.
- Smith, T., and another, London, England (see Bell Gas-saver Company Limited, No. 27156).
- Smith, W., Horsham, Victoria; preventing wooden spokes and hubs of vehicles from shrinking; 27350, 21st February; (27, 24th March).
- Smoothy, F., Pareora East, New Zealand; fencing-staple; 27446, 21st March.
- Smyth, W. R., Lawrence, New Zealand; wire-strainer; 27398, 8th March.
- Snow, H. L., Roslyn, New Zealand; swimming-device; 27485, 30th March.
- Spencer, A. C., and another, Beverley, United States America (see United Shoe Machinery Company, No. 26009).
- Spencer, B. H., North Sydney, New South Wales; reversible-window casement-hinge; 27223, 1st February; 27, 24th March).
- Soderstrom, G. T., Renfrew, Canada (see T. A. Low, No. 27112).
- Stanford, J., Wellington, New Zealand; roofing-tile; 27185, 20th January; (14, 10th February).*
- Starkey, W., and another, Napier, New Zealand; flying, &c., machine; 27204, 26th January; (14, 10th February).*
- Steele, G. H. B., and others, Perth, Western Australia; spark-arrester; 27311, 16th February.

APPLICANTS FOR LETTERS PATENT—*continued.*

- Stephens, E., and another, Wellington, New Zealand; milk-cooler; 27294, 14th February; (22, 10th March).
- Stevens, C. A., New York, United States America; metal-extraction; (C. G. Collins); 25874, 27th April, 1909; (22, 10th March).
- Stevens, J., Hawthorn, Victoria; buckle; 27379, 2nd March.
- Stevens, K. M., Hawera, New Zealand; releasing milking-machine teat-cup; 27138, 11th January; (8, 27th January).*
- Stevenson, T., and another, Gore, New Zealand; sharpening chaffcutter-knives; 27243, 3rd February; (18, 24th February).*
- Stewart, D., Te Hapara, New Zealand; sowing maize, &c.; 27193, 25th January.
- Stewart, J., Invercargill, New Zealand; fowl, &c., feed-box; 27152, 11th January.
- Stiles, N. R., London, England; automatically delivering articles; 27153, 12th January, 1909; † (18, 24th February).
- Stokes, W., jun., Christchurch, New Zealand; fire-alarm; 27497, 24th March.
- Stone, J., & Co. Limited., and another, Deptford, England; secondary battery; 27403, 27th March, 1909. †
- Strassmeyer, J., Christchurch, New Zealand; betting-boards; 27126, 8th January; (14, 10th February).*
- Stroud, J. J., and another, Invercargill, New Zealand; vehicle-wheel; 27221, 27th January; (22, 10th March).*
- Submarine Signal Company, Boston, United States America; submarine-signalling sounder; (E. C. Wood); 27052, 15th December, 1909; (14, 10th February).
- Submarine Signal Company, Boston, United States America; submarine-signalling sounder; (R. L. Williams); 27235, 1st February; (22, 10th March).
- Suckling, J. O., and others, Eketahuna, New Zealand; water-closet flush; 27177, 19th January; (14, 10th February).*
- Sutherland, K., Huntville, New Zealand; telescope; 27252, 5th February; (18, 24th February).*
- Suttie, C., and another, Waharoa, New Zealand; flax-catcher; 25776, 30th March, 1909; (18, 24th February).
- Swanell, C. T., Melbourne, Victoria; smoke-consuming apparatus; 27456, 23rd March; (37, 21st April).
- Swanson, P., Invercargill, New Zealand; brake apparatus; 27326, 17th February; (22, 10th March).*
- Szechenyi, E. and another, Vaiszka, Hungary; cultivator; 27479, 30th March; (37, 21st April).
- Taucher, J., Wellington, New Zealand; safety hat-pin; 27382, 3rd March; (27, 24th March).*
- Taylor, E. Z., London, England (see Mono Service Vessels Limited, No. 27072 and 27480).
- Taylor, J. A., Auckland, New Zealand; householders' indicator for tradesmen; 27016, 7th December, 1909; (14, 10th February).*
- Taylor, J. E., Auckland, New Zealand; pillar block or pier; 27254, 3rd February; (18, 24th February).*
- Teasdale, C. B., Northcote, Victoria (see W. G. Meudell, No. 27367).
- Testro, J. C., and another, Melbourne, Victoria; high-pressure filter; 27260, 6th March, 1909; † (27, 24th March).
- Thomas, T. J., Makauri, New Zealand; draught-equaliser for horses; 27448, 19th March.
- Thomsen, P., and another, Cassel-Wilhelmshohe, Germany; locomotive steam-superheater; 27438, 15th March; (37, 21st April).
- Thomson, J. M., Stratford, New Zealand; game apparatus; 25877, 24th April, 1909; (22, 10th March).
- Tomkies, A. G., Westport, New Zealand; corrugated-iron cutter; 27421, 9th March.
- Tomkies, A. G., Westport, New Zealand; cupboard-door, &c., fastening; 27422, 9th March.
- Tomkies, A. G., Westport, New Zealand; tin-opener; 27423, 9th March.
- Tomkies, A. G., Westport, New Zealand; toy flying-machine; 27424, 9th March.
- Towle, C. R., and another, Haverhill, United States America (see United Shoe Machinery Company, No. 27133).
- Trengrove, W. H., Wellington, New Zealand; pneumatic-tire repairer; 27470, 24th March.
- Trevor, S. R., Auckland, New Zealand; oil-producer from kauri soil; 27318, 18th February; (22, 10th March).*
- Tripp, E. A., Beverly, United States America (see United Shoe Machinery Company, No. 25887).
- Tubman, L., Papanui, New Zealand; shooting-decoy formation-frame; 27159, 13th January; (14, 10th February).*
- Turner, F. A., Auckland, New Zealand; utilising waste hot-water for domestic purposes; 27477, 30th March.
- Turner, G., Canterbury, New South Wales; mineral-oil manufacture; 27113, 5th January; (8, 27th January).*
- Turner, T., and others, Wellington, New Zealand; bull-rope cleat; 27443, 18th March.

APPLICANTS FOR LETTERS PATENT—*continued.*

United Shoe Machinery Company, Paterson, United States America; heel-building machine; (E. A. Tripp); 25887, 28th April, 1909; (22, 10th March).

United Shoe Machinery Company, Paterson, United States America; lasting-machine; (W. A. Bond); 26008, 1st June, 1909; (22, 10th March).

United Shoe Machinery Company, Paterson, United States America; imitation-stitch machine; (A. C. Spencer and L. A. Casgrain); 26009, 1st June, 1909; (22, 10th March).

United Shoe Machinery Company, Paterson, United States America; boot- and shoe-assembling machine; (K. Engel); 26010, 1st June, 1909; (22, 10th March).

United Shoe Machinery Company, Paterson, United States America; leather-skiving machine; (A. M. Alexander); 27377, 2nd March; (27, 24th March).*

United Shoe Machinery Company, Paterson, United States America; shoe-upper-beading machine; (L. W. G. Flynt); 27131, 11th January; (8, 27th January).*

United Shoe Machinery Company, Paterson, United States America; in-seam-trimming machine; (A. E. Johnson); 27132, 11th January; (8, 27th January).*

United Shoe Machinery Company, Paterson, United States America; heel-nailing and cement-applying machine; (E. A. Webster and C. R. Towle); 27133, 11th January; (8, 27th January).*

United Shoe Machinery Company, Paterson, United States America; eyeletting machine; (L. F. Weber); 27136, 11th January; (22, 10th March).

United Shoe Machinery Company, Paterson, United States America; edge-setting machine; (F. M. Furber and F. H. Warren); 27137, 11th January; (8, 27th January).*

United Shoe Machinery Company, Paterson, United States America; nail-feeding device; (J. G. Gibson and G. Pegg); 27195, 25th January; (18, 24th February).*

United Shoe Machinery Company, Paterson, United States America; shoe-sole operating-machine; (F. H. Perry); 27238, 3rd February; (18, 24th February).*

United Shoe Machinery Company, Paterson, United States America; edge-trimming, &c., machine; (F. H. Perry); 27239, 3rd February; (18, 24th February).*

United Shoe Machinery Company, Paterson, United States America; shoe-upper-lacing machine; (C. S. Wells and W. W. Darnill); 27240, 3rd February; (18, 24th February).*

Urmetzer, A. W., London, England (see Midas, Limited, No. 27465).

Vacher, C., Kelowna, British Columbia; sprinkler-nozzle; 27368 and 27369, 1st March; (27, 24th March).

Vanstone, H. J., Little River, New Zealand; bottle-stopper; 27247, 4th February; (18, 24th February).*

Vanstone, H. J., Little River, New Zealand; bottle-stopper; 27120, 7th January; (8, 27th January).*

Vanstone, H. J., Little River, New Zealand; aerated-water-bottle stopper; 27121, 7th January; (8, 27th January).*

Verne, P., Wellington, New Zealand; hat-pin; 27127, 10th January; (8, 27th January).*

Von Arco, G. G., and another, Berlin, Germany (see E. Phillips, No. 27276).

Voss, W. A., and another, Rayleigh, England; fungicide; 27481, 22nd July, 1909†; (37, 21st April).

Vowell, C., Ngaurawahia, New Zealand; ships, &c., well-sounding apparatus; 27248, 3rd February.

Walker, J. W., Hastings, New Zealand; music-turner; 27388, 5th March; (27, 24th March).*

Walker, R., Dunedin, New Zealand; securing milk-can lid; 25689, 12th March, 1909; (14, 10th February).

Wallace, H. H., Oamaru, New Zealand; throwing and securing horses and cattle; 27262, 8th February; (18, 24th February).*

Wallis, B., Petone, New Zealand; picture-mount cutter; 27168, 17th January; (18, 24th February).

Warburton, J., Linwood, New Zealand; human-flight equipment; 27417, 11th March.

Ward, D. O., Illinois, United States America (see Chipman Limited, No. 27175).

Warren, F. H., and another, Swampscott, United States America (see United Shoe Machinery Company, No. 27137).

Waters, S., Wellington, New Zealand; flash-signalling shutter; 27444, 18th March; (37, 21st April).*

Watson, G., Tokomaru, New Zealand; flax-stripper drum-spindle; 27306, 15th February; (22, 10th March).*

Watson, T. J.; Onehunga, New Zealand; flexible harrow; 27372, 28th February; (27, 24th March).*

Watterson, J., and others, Wellington, New Zealand; bull-rope cleat; 27443, 18th March.

APPLICANTS FOR LETTERS PATENT—*continued.*

Weber, L. F., Frankfurt a. m. Germany (see United Shoe Machinery Company, No. 27136).

Webster, E. A., and another, Groveland, United States America (see United Shoe Machinery Company, No. 27133).

Wells, C. S., and another, Leicester, England (see United Shoe Machinery Company, No. 27240).

Whall, J., Darfield, New Zealand; vehicle-jack; 27487, 31st March; (37, 21st April).*

Widdowson, B., Christchurch, New Zealand; potato bagger and digger; 27249, 4th February; (22, 10th March).*

Willcocks, F. G., Inaha, New Zealand; milking-machine; 27280, 10th February; (18, 24th February).*

Willcocks, F. G., Hawera, New Zealand; milking-machine teat-cup; 27459, 23rd March.

Williams, J., Dunedin, New Zealand; metal-extraction; 27087, 21st December, 1909; (27, 24th March).

Williams, J. D., Melbourne, Victoria; amusement game, &c.; 27305, 15th February; (27, 24th March).

Williams, R. L., Newton, United States America (see Submarine Signal Company, No. 27235).

Wilson, J., Auckland, New Zealand; concrete-road construction; 27314, 18th February.

Wilson, P., and another, Sydney, New South Wales; book clip and suspender; 26204, 5th July, 1909; (14, 10th February).

Wilton, L. M., Wellington, New Zealand; drying crockery, &c.; 25971, 25th May; (27, 24th March).

Wilton, T. J., and another, Waipawa, New Zealand; power-transmission on variable-speed mechanism; 27266, 8th February; (18, 24th February).*

Winders, G. H., Dunedin, New Zealand; hat-fastener; 27160, 12th January; (14, 10th February).*

Winn, S., Nelson, New Zealand; pulverising, &c., white-lead; 27394, 7th March; (27, 24th March).

Winslow, S. W., Beverly, United States America; chain-stitch machine; (C. P. Holmes); 25888, 28th April, 1909; (22, 10th March).

Witty, R. B., Lower Moutere, New Zealand; hand fruit-grader; 27440, 18th March.

Wood, E. C., Somerville, United States America (see Submarine Signal Company, No. 27052).

Woodroffe, T. E., Auckland, New Zealand; incubator; 25670, 11th March, 1909; (18, 24th February).

Worsnop, J., Auckland, New Zealand; window-fastener; 27354, 22nd February; (22, 10th March).*

Worswick, A., Gathurst, England; propeller; 27405, 10th March.

Worthington, H., Wellington, New Zealand; ships'-hawser rat-trap; 27135, 11th January; (8, 27th January).*

Wright, A. H., Auckland, New Zealand; franking, &c., mail-matter; 27199; 25th January; (14, 10th February).

Wright, A. H., Auckland, New Zealand; stamping-machine; 27363, 25th February; (22, 10th March).*

Wright, W., Coventry, England; vehicle-wheel; 26918, 23rd December, 1908†; (22, 10th March).

Wynyard, M. H., and another, Auckland, New Zealand; flax-catcher; 25776, 30th March, 1909; (18, 24th February).

Young, C., Evansford, Victoria; collar for draught animals; 26263, 19th July, 1909; (22, 10th March).

Young, D. H., Gisborne, New Zealand; milk-jug; 27383, 1st March; (27, 24th March).

Zimmerman, A. K., and others, Melbourne, Victoria; cot-attachment to bed; 27374, 2nd March; (27, 24th March).

Alphabetical List of Inventions for Quarter ended 31st March, 1910.

THIS list includes also (1) applications lodged prior to but gazetted during the quarter, (2) complete specifications following provisional specifications accepted or gazetted during the quarter. The first number and date are those of the application; the number and date following in parentheses refer to the *Gazette* containing the notification of acceptance. Where the number and date of the *Gazette* are omitted, the application has not yet been accepted.

* Denotes a provisional specification. † Denotes a prior date under the International and Intercolonial Arrangements.

Acetylene-drying apparatus; H. W. Davies; 27474, 29th March; (37, 21st April).

Acetylene-generator; V. R. Blair; 25411, 6th January, 1909; (8, 27th January).

ALPHABETICAL LIST OF INVENTIONS—*continued.*

Acetylene-generator; W. Lewis; 27192, 24th January; (14, 10th February).*

Acetylene-generator; G. L. Burton; 27167, 13th January; (27, 24th March).

Acetylene-generator; J. B. Kelly; 27349, 23rd February.

Acoustical instrument; L. Lumiere; 26166, 25th July, 1908†; (8, 27th January).

Adapter (see Light-adapter).

Advertisement-displayer; A. Clegg, W. Rainbow, and F. Clark; 27128, 10th January; (14, 10th February).*

Advertisement-displayer; C. N. Hodder and N. Clegg; 27345; 21st February; (22, 10th March).

Advertising, billiard-table; A. J. Bert; 25767, 31st March, 1909; (22, 10th March).

Advertising-device; C. Mills; 27399, 8th March.

Advertising-machine; J. T. Hunter; 27411, 10th March.

Aerating and bottling machine; C. M. Browne; 26640, 23rd September, 1909; (14, 10th February).

Aerial machine; L. J. Barnes and W. Starkey; 27204, 26th January.

Aerial machine, human-flight equipment; J. Warburton; 27417, 11th March.

Aerial machine, toy; A. G. Tomkies; 27424, 9th March.

Aeroplane; C. A. B. P. Hawkins, B. Ogilvie, and C. J. Nairn; 25865, 26th April, 1909; (18, 24th February).

Aeroplane; E. Nevill; 27227, 1st February; (18, 24th February).*

Aeroplane; H. P. Little and J. Pechugin; 27467, 24th March.

Aeroplane; H. M. Fraser; 27491, 31st March; (37, 21st April).

Aeroplane steadier and balancer; J. C. Cairns; 27267, 8th February; (22, 10th March).*

Air-brake (see Brake).

Air-exhauster (see Pump, vacuum).

Alarm (see Burglar-alarm).

Amusement apparatus; J. D. Williams; 27305, 15th February; (27, 24th March).

Animal-leg fastener; A. H. Hansen; 27290, 14th February; (18, 24th February).*

Animal-throwing (see Throwing, &c., apparatus).

Annunciator (see Step-annunciator).

Artificial-fuel manufacture; W. G. Mendell; 27367, 1st March.

Artificial-stone manufacture; A. A. Pauly; 27209, 26th January; (22, 10th March).

Axle-cap; R. McNaughton; 27172, 18th January; (14, 10th February).*

Axle-lubricator; R. Hamburger; 27174, 19th January.

Axle, skeith, &c.; J. L. MacDonald; 27458, 23rd March; (37, 21st April).*

Bath-water heater; Hannams' Limited; 25959, 20th May, 1909; (22, 10th March).

Bath-water heater; E. Schwer; 27460; 23rd March.

Battery (see Secondary battery).

Bearings for rapidly rotating bodies; Massey-Harris Company, Limited; 27151, 11th January; (22, 10th March).

Bed-rest; G. Broom; 27178, 19th January; (14, 10th February).*

Beer-dispenser; J. Berryman; 27141, 11th January.

Belt-fastener; F. Kerby; 27433, 16th March.

Belt-reel for threshing-mill; W. Hamilton; 27427, 12th March.

Betting-board; J. Strassmeyer; 27126, 8th January; (14, 10th February).*

Bicycle; A. Moore; 27325, 18th February; (22, 10th March).*

Bicycle attachment (see Cutlery-grinder, &c.).

Bicycle-pump clip; W. Clarkson; 27364, 28th February; (27, 24th March).*

Bicycle-ticket, attaching; J. W. Dick and A. Leitch; 27176, 19th January; (14, 10th February).*

Billiard-cue tip; T. F. Long; 27281; 8th February.

Bird-cage, &c., suspender; H. Sewill; 27114, 19th March, 1909†; (14, 10th February).

Blasting-charge, firing; J. Cartwright; 26697, 8th October, 1909; (27, 24th March).

Blind, roller; E. W. Greenwood; 27407, 10th March.

Blind, venetian; H. Robson; 27207; 27th January.

Block (see Building-block).

Block-printing (see Relief-block printing).

Blouse, &c., collar attaching-device; R. Massey; 27358, 24th February; (27, 24th March).

Blouse-fastener; J. MacLeod; 27334; 21st February.

Boiler-insulation attaching-composition; E. Foster; 27373, 2nd March; (27, 24th March).*

Boot-last stand; R. H. Giles and J. C. Retter; 26760, 19th October, 1909; (18, 24th February).

Bootmaking—indicating sizes on upper-blanks; T. H. Files; 27134, 19th March, 1909†; (18, 24th February).

ALPHABETICAL LIST OF INVENTIONS—*continued.*

Book clip or suspender; P. Wilson and H. R. Pike; 26204, 5th July, 1909; (14, 10th February).

Boot or shoe; J. Ball; 26696, 8th October, 1909; (14, 10th February).

Boot or shoe; W. Humphreys-Grey and A. Duthoit; 27356, 24th February; (27, 24th March).*

Boot-edge-setting machine; United Shoe Machinery Company; 27137, 11th January; (8, 27th January).*

Boot-edge-trimming machine; United Shoe Machinery Company; 27239, 3rd February; (18, 24th February).*

Boot-eyeleting machine; United Shoe Machinery Company; 27136, 11th January; (22, 10th March).

Boot-heel; A. J. Bird and W. V. Porteous; 27297, 15th February; (22, 10th March).*

Boot-heel-building machine; United Shoe Machinery Company; 25887, 28th April, 1909; (22, 10th March).

Boot-heel-nailing machine; United Shoe Machinery Company; 27133, 11th January; (8, 27th January).*

Boot-heel, resilient; J. G. Mitchell; 27179, 19th January; (18, 24th February).

Boot-inseam-trimming machine; United Shoe Machinery Company; 27132, 11th January; (8, 27th January).*

Boot-last; J. B. Hulbert; 27347, 23rd February; (22, 10th March).*

Boot-lasting machine; United Shoe Machinery Company; 26008, 1st June, 1909; (22, 10th March).

Boot-machine assembling-device; United Shoe Machinery Company; 26010, 1st June, 1909; (22, 10th March).

Boot-machine nail-feeding device; United Shoe Machinery Company; 27195, 25th January; (18, 24th February).*

Boot-machine pulling-over device; R. F. McFeely; 27236, 19th April, 1909; (22, 10th March).

Boot-machine stitch-impression device; United Shoe Machinery Company; 26009, 1st June, 1909; (22, 10th March).

Boot sole and heel; J. B. Hulbert; 27346, 23rd February; (22, 10th March).*

Boot-sole, &c., protector (see Sole and heel protector).

Boot-sole machine; United Shoe Machinery Company; 27238, 3rd February; (18, 24th February).*

Boot-sole-finishing machine; United Shoe Machinery Company; 27239, 3rd February; (18, 24th February).*

Boot-upper; S. Anderson; 27336, 21st February; (22, 10th March).

Boot-upper-beading machine; United Shoe Machinery Company; 27131, 11th January; (8, 27th January).*

Boot-upper-lacing machine; United Shoe Machinery Company; 27240, 3rd February; (18, 24th February).*

Bottle (see Non-refillable bottle).

Bottle-capsule; C. W. V. Messerschmidt; 27308, 16th February; (27, 24th March).

Bottle-stopper; H. J. Vanstone; 27120 and 27121, 7th January; (8, 27th January).*

Bottle-stopper; H. J. Vanstone; 27247, 4th February; (18, 24th February).*

Bottling and aerating machine; C. M. Browne; 26640, 23rd September, 1909; (14, 10th February).

Box (see Counter-box, Linen-box, Telephone-box, Poultry-feed box).

Box-clip; W. Hoyland; 27212, 28th January; (18, 24th February).*

Box-clip; W. Hoyland; 27216, 29th January; (18, 24th February).*

Box, collapsible; R. D. Haworth; 27233, 2nd February; (18, 24th February).*

Bracket (see Scaffolding-bracket, Spouting-bracket).

Brake, air; M. Higgins and F. N. Hesketh; 27333, 21st February; (22, 10th March).*

Brake, railway; P. Swanson; 27326, 17th February; (22, 10th March).*

Brake, railway; J. Scott; 27404, 9th March.

Brake, road-vehicle; J. J. O'Doherty; 27437, 14th March.

Brand, carcass; A. V. Graham; 27418, 12th March.

Broom or brush manufacture; S. G. Roseman; 27251, 3rd February; (18, 24th February).*

Broom or brush manufacture; W. Findlay; 27329, 18th February; (22, 10th March).*

Brush-manufacture; S. G. Roseman; 25711, 19th March, 1909; (14, 10th February).

Brush, paint-, binder for; E. N. Lancheater; 27222, 1st February; (18, 24th February).*

Bucket (see Pump-piston bucket).

Buckle; J. Stevens; 27379, 2nd March.

Buffer and draw-bar; H. H. Gunstone; 27304, 15th February.

Building-block; E. B. Gardner; 27202, 25th January; (14, 10th February).*

Building-block manufacture; W. T. Cowperthwaite; 27428, 11th March.

ALPHABETICAL LIST OF INVENTIONS—continued.

Building-construction; A. Falkner; 27471, 23rd March; (37, 21st April).*

Bullet; E. S. Baldwin; 27376, 2nd March; (37, 21st April).

Burglar-alarm; T. Jameson; 27319, 18th February; (22, 10th March).*

Butter-blending machine; N. S. Corney; 27253, 4th February; (18, 24th February).

Butter-cutter; J. W. Miller and J. R. McKerihan; 27301, 15th February; (22, 10th March).

Butter-cutting machine; P. L. Hill; 27507, 31st March.

Cable-connector (see Electric cable-connector).

Caisson; E. Larcomb; 27232, 2nd February; (18, 24th February).

Cake-tin; W. J. Philips; 26513, 2nd September, 1909; (18, 24th February).

Califont; A. McLeod; 27462, 22nd March.

Candle-extinguisher; T. Savage; 27298, 15th February; (27, 24th March).*

Carburetter; H. C. L. Rolfe; 26256, 20th July, 1909; (18, 24th February).

Carburetter; N. W. Pill; 26397, 13th August, 1908†; (8, 27th January).

Carcass-brand (see Brand).

Card-table top; W. Cameron; 27093, 23rd December, 1909; (14, 10th February).*

Carton; A. L. Smith; 27278, 10th February; (22, 10th March).

Catch (see Tram-truck safety-catch).

Cement-manufacture from lignite; W. J. Love and F. W. Skelsey; 27282, 9th February; (22, 10th March).*

Cement-manufacture; The Milburn Lime and Cement Company, Limited; 25947, 11th May, 1909; (27, 24th March).

Chaff-cutter-knife sharpener; T. Stevenson and T. Falconer; 27243, 3rd February; (18, 24th February).*

Chaff-cutter-knife mounting; R. W. Hill; 27378, 2nd March; (27, 24th March).

Chain-stitch device (see Sewing-machine).

Chair, deck; C. D. Dwight, H. A. Mercer, and F. Baker; 27357, 24th February; (27, 24th March).

Chimney-draught inducer; D. McLean; 27430, 15th March; (37, 21st April).*

Churn and butter-worker; A. H. Sims; 27313, 16th February; (22, 10th March).

Cigar-vending machine (see Vending-machine).

Cleat; J. Watterson, F. Phillips, and T. Turner; 27443, 18th March.

Closet (see Dry closet, Water-closet).

Closet-seat; G. H. Lockett and F. C. P. Fiddy; 27320, 15th February.

Coal-cabinet; A. R. Christian; 27234, 31st January; (18, 24th February).

Coal-pulveriser; C. A. Bettington; 27077, 21st December, 1909; (14, 10th February).

Cook (see Tap or cock).

Collar (see Shirt-collar).

Commode; A. R. Christian; 27234, 31st January; (18, 24th February).

Cooler (see Milk cooler and aerator).

Corset; E. F. Hume; 27271, 8th February; (18, 24th February).*

Concrete and ferro-concrete construction; R. W. de Montalk; 27213, 28th January; (14, 10th February).*

Concrete block (see Building-block).

Concrete-pillar; J. E. Taylor; 27254, 3rd February; (18, 24th February).*

Concrete-structure; R. F. Moore; 27162, 12th January; (14, 10th February).*

Cooking-box; M. T. Braik; 25617, 25th February, 1909; (18, 24th February).

Cooking-utensil; W. J. Philips; 26513, 2nd September, 1909; (18, 24th February).

Cooler and water-tank; C. O. Morse and A. Gray; 27244, 3rd February.

Cooling-vessel, composition for manufacture of; W. Fisher; 27158, 13th January; (18, 24th February).

Cot-attachment to bed; H. A. Atkinson, A. K. Zimmerman, and O. E. Pound; 27374, 2nd March; (27, 24th March).

Couch; J. Dunbar; 27309, 12th February; (22, 10th March).*

Couch; J. A. McKinnon; 27463, 22nd March; (37, 21st April).*

Counter-box; T. Siddans; 25964, 21st May, 1909; (27, 24th March).

Coupling, automatic; J. P. Carmine; 27183, 20th January.

Cover (see Horse-cover).

Cramp (see Flooring-cramp).

Cream-separator (see Separator).

Cupboard, &c., fastener; A. G. Tomkies; 27422, 9th March.

ALPHABETICAL LIST OF INVENTIONS—continued.

Cultivator K. Koszegi and E. Szechenyi; 27479, 30th March; (37, 21st April).

Card-cutting, &c., knife; S. F. Pond; 27310, 16th February; (22, 10th March).*

Cutlery-grinder attachment to bicycle; F. E. Longdin; 27341, 21st February.

Deck-chair (see Chair).

Decoy (see Shooting-decoy).

Door- and gate-closing apparatus; W. Duggan, jun.; 27414, 9th March.

Door-fastener; A. G. Tomkies; 27422, 9th March.

Door, sliding; J. Blair-Mason, J. Loudon, and G. A. Gee; 27200, 24th January; (14, 10th February).*

Draining or drying cutlery, &c.; L. M. Wilton; 25971, 25th May, 1909; (27, 24th March).

Draught-equaliser; T. J. Thomas; 27448, 19th March.

Draught-equaliser for harrow, &c.; G. W. Penney; 27426, 12th March.

Draught-inducer (see Chimney-draught inducer).

Draw-bar (see Buffer and draw-bar).

Dredge; P. N. Kingswell and D. W. Duthie; 27324, 17th February.

Dredge-bucket; W. Cutten; 27125, 7th January; (14, 10th February).*

Drilling-apparatus; M. and S. Drill Company; 27478, 30th March.

Dry closet; W. F. Lietz; 27197, 25th January; (14, 10th February).*

Earth-scoop; E. C. Bank; 27169, 18th January; (14, 10th February).*

Egg-carrier; C. M. Cruickshank; 26982, 2nd December, 1909; (27, 24th March).*

Electric cable connector; J. Coutts and A. H. Davies; 25504, 28th January, 1909; (8, 27th January).

Electric-lamp filament; J. Meszaros; 26649, 28th September, 1909; (14, 10th February).

Electrical oscillations, producing; E. Phillips; 27276, 10th February; (22, 10th March).

Electricity-rectifier; T. J. Murphy; 27155, 13th January.

Engine (see Hot-water utilising, Internal-combustion engine, Marine engine, Steam-engine, &c.).

Envelope; R. N. Chubb; 27149, 10th January.

Envelopes, sealing; P. N. M. MacDonald; 27140, 11th January; (14, 10th February).*

Feed-box, poultry; J. Stewart; 27152, 11th January.

Fencing-staple; F. Smoothy; 27446, 21st March.

Fender; J. E. Burns; 27447, 21st March.

Ferro-concrete (see Reinforced concrete).

File-manufacturing tool; J. Neill; 27451, 22nd March.

File, rasp, &c.; E. Armstrong; 27302, 18th February, 1909.†

Filter, pressure; A. Dondey and J. C. Testro; 27260, 6th March, 1909†; (27, 24th March).

Filtering-apparatus; P. C. C. Isherwood; 27453, 22nd March.

Filtration process; E. Burt; 27505, 31st March.

Firearm; E. S. Baldwin; 27375, 2nd March.

Fire-alarm; W. Stokes, jun.; 27497, 24th March.

Fire-escape; N. Davies; 27124, 8th January; (8, 27th January).*

Fireless cooker (see Cooking-box).

Fish-plate; J. Smaill; 27486, 31st March.

Fish-preserving; J. R. Henderson; 27351, 24th February; (27, 24th March).

Fishing-line; A. Costello; 27406, 7th March.

Flash-signal (see Signalling-lamp).

Flax-catcher; C. Suttie and M. H. Wynyard; 25776, 30th March, 1909; (18, 24th February).

Flax-catcher; S. C. Parlour; 27206, 24th January; (18, 24th February).*

Flax-catcher; R. McGaffin; 27338, 18th February; (22, 10th March).*

Flax-conveyer; R. McGaffin; 27339, 18th February; (22, 10th March).*

Flax-dressing machine; A. I. Jones; 27163, 15th January; (14, 10th February).*

Flax-dressing machine; E. P. Levien; 27331, 21st February; (22, 10th March).*

Flax-stripper; H. Greig; 27386, 4th March; (27, 24th March).*

Flax-stripper; G. Crow; 27396, 8th March.

Flax-stripper drum-spindle; G. Watson; 27306, 15th February; (22, 10th March).*

Flax-washing; E. H. Donaldson; 25645, 4th March 1909; (8, 27th January).

Flax washing and brushing; J. Bate; 26583, 13th September, 1909; (27, 24th March).

Flies, driving away; C. Mills; 27296, 14th February; (22, 10th March).*

ALPHABETICAL LIST OF INVENTIONS—*continued.*

Flight-equipment; J. Warburton; 27417, 11th March.
 Flooring-cramp; A. R. Craddock; 25518, 2nd February, 1909; (14, 10th February,* and 14, 10th February).
 Flooring-cramp grip; A. R. Craddock; 27370, 28th February; (37, 21st April).
 Flower-pot, &c., suspender; H. Sewill; 27114, 19th March, 1909 †; (14, 10th February).
 Flushing-cistern (see Water-closet flush).
 Flying-machine; L. J. Barnes and W. Starkey; 27204, 26th January; (14, 10th February).
 Flying-machine; A. G. Tomkies; 27424, 9th March.
 Food and water heater; M. Alcorn; 27506, 31st March.*
 Franking-machine, A. J. Park; 27342, 19th February; (27, 24th March).
 Fruit-grader; R. B. Witty; 27440, 18th March.
 Fuel-manufacture; W. G. Meudell; 27367, 1st March.
 Fungicide; P. S. U. Pickering; 27481, 22nd July, 1909 †; (37, 21st April).
 Furnace, automatic stoker; A. Beveridge; 25835, 15th April, 1909; (18, 24th February).
 Furniture reviver or polish; H. Dempsey; 27218, 31st January; (18, 24th February).
 Game apparatus; J. M. Thomson; 25877, 24th April, 1909; (22, 10th March).
 Gas-manufacture (see Carburetter, Hydrocarbon-vapouriser, &c.).
 Gas-supply regulator; The Bell Gas-saver Company; 27156, 13th January; (22, 10th March).
 Gas-valve for high pressures; A. Eckersley; 27184, 20th January; (18, 24th February).
 Gate (see Door).
 Gate-lock; H. Pettitt; 27384, 1st March; (27, 24 March).
 Gauge-glass, steam-escape preventer for; G. H. Morley; 27493, 24th March.
 Gold, precipitating (see Metals, precipitating).
 Grader (see Fruit-grader).
 Gun (see Rifle).
 Hames, preventing, slipping; D. Brigham; 27190, 19th January; (14, 10th February).
 Harrow; T. J. Watson; 27372, 28th February; (27, 24th March).
 Harrow; G. W. Penney; 27426, 12th March.
 Hat-fastener; G. H. Winders; 27160, 12th January; (14, 10th February).
 Hat-pin; H. W. Smith; 27118, 5th January.
 Hat-pin; P. Verne; 27127, 10th January; (8, 27th January).
 Hat-pin; L. Dillimore; 27203, 26th January; (18, 24th February).
 Hat-pin; D. H. Harney; 27322, 18th February.
 Hat-pin; W. Morton; 27362; 26th February).
 Hat-pin; J. Taucher; 27382; 3rd March; (27, 24th March).
 Hat-pin; W. G. Joy and H. A. Corringham; 27473, 22nd March.
 Hat-pin-point protector; G. W. Phillips; 27498, 30th March; (37, 21st April).
 Hat-ventilator; A. Budd; 27191, 19th January; (14, 10th February).
 Hinge; J. Mitchell; 27348, 23rd February; (27, 24th March).
 Hinge (see Window-casement hinge).
 Hoe (see Horse-hoe).
 Horse-collar; T. Dent; 26526, 3rd September, 1909; (8, 27th January).
 Horse-collar; C. Young; 26263, 19th July, 1909; (22, 10th March).
 Horse-controller; M. Barraclough; 27250, 4th February.
 Horse-cover; T. J. Mildenhall; 27484, 30th March.
 Horse-hoe, draught-attachment; J. Bain; 27220, 28th January; (18, 24th February).
 Horse-throwing (see Throwing, &c., apparatus).
 Hot-water supply from engine; F. A. Turner; 27477, 30th March.
 Household-requisites indicator; J. A. Taylor; 27016, 7th December, 1909; (14, 10th February).
 Hydrocarbon-vapouriser; Hydrocarbon Converter Company; 27228, 1st February; (22, 10th March).
 Ice-chest; E. A. G. Hamlin; 27115, 5th January; (14, 10th February).
 Ice-chest; H. M. Clark; 27186, 19th January; (14, 10th February).
 Ignition-device (see Internal-combustion engine).
 Incrustation-preventer (see Steam-generator, &c.).
 Incubator; T. E. Woodroffe; 25670, 11th March, 1909; (18, 24th February).
 Induction-coil; A. C. Death; 27171, 18th January; (22, 10th March).*

ALPHABETICAL LIST OF INVENTIONS—*continued.*

Insulator, attaching wire to; W. E. Bandfield; 27170, 18th January; (18, 24th February).
 Internal-combustion engine; E. Hoiland; 27365, 26th February; (27, 24th March).
 Internal-combustion-engine ignition-device; G. L. Bowron; 27274, 9th February.
 Iron and iron-alloys, manufacture of; A. S. Ramage; 27109, 4th January; (22, 10th March).
 Jack (see Vehicle-jack).
 Jar (see Preserving-jar).
 Kauri soil, producing oil from (see Oil-production).
 Kerosene-filler; A. Simonson and G. King; 27286, 12th February; (18, 24th February,* and 27, 24th March).
 Kettle; W. J. Philips; 26513, 2nd September 1909; (18, 24th February).
 Kettle; C. Clegg; 27385, 4th March; (27, 24th March).
 Key-ring safety device; J. Mitchell; 27332, 21st February; (22, 10th March).
 Knife (see Curd-cutting, &c., knife).
 Knitting-machine; W. H. Beale and H. O. Hewett; 27157, 13th January; (8, 27th January).
 Lamb-searing (see Searing-appliance).
 Lamp-attachment; L. A. Nicholls; 27122, 6th January; (8, 27th January).
 Lathe-slide rest; H. C. Robinson; 26714, 12th October, 1908 †; (27, 24th March).
 Leather-dressing; O. Silberrad; 27010, 7th December, 1909; (18, 24th February).
 Leather-finishing solution; C. Sextie; 27081, 21st December, 1909; (22, 10th March).
 Leather-polish; Midas Limited; 27465, 22nd March.
 Leather-skiving-machine; Q. W. Booth; 25771, 1st April, 1909; (18, 24th February).
 Leather-skiving machine; United Shoe Machinery Company; 27377, 2nd March; (27, 24th March).
 Leg-fastener (see Animal-leg fastener).
 Life buoy and boat; F. C. Ottaway; 27092, 24th December, 1909; (14, 10th February).
 Life-saving apparatus; H. Fisher; 26431, 17th August, 1909; (27, 24th March).
 Light adapter, suction; F. H. R. Neville and A. S. Pike; 27420, 11th March.
 Linen, box for; A. C. Dickinson; 27413, 10th March.
 Linen, box for; A. C. and G. Dickinson; 27476, 23rd March.
 Liquid shine or polish; G. J. Colthurst; 27268, 7th February; (18, 24th February).
 Liquid-treatment; C. Neff and A. Brandes; 27429, 15th March; (37, 21st April).
 Lixiviator; J. Williams; 27087, 21st December; (27, 24th March).
 Locomotion-recorder (see Vehicle-locomotion recorder).
 Lubricating-oil (see Oil, lubricating-).
 Lubricator (see Axle-lubricator).
 Manures, mixing; R. J. Hobbs; 27187, 21st January; (14, 10th February).
 Marine-engine-racing preventing; E. F. Bressey; 27390, 5th March; (27, 24th March).
 Mattress; D. McCrae; 27188; 21st January; (18, 24th February).
 Milk-bucket; T. Senior; 27211, 28th January; (14, 10th February).
 Metal-cutter; A. G. Tomkies; 27421, 9th March.
 Metal-extraction; C. A. Stevens; 25874, 27th April, 1909; (22, 10th March).
 Metal pipes (see Pipes, &c.).
 Metals, gold and the like, precipitating from solutions; T. Edwards; 27101, 30th December, 1909; (22, 10th March).
 Milk-can; R. Carruthers; 27242, 3rd February; (18, 24th February).
 Milk-can lid; R. Walker; 25689, 12th March, 1909; (14, 10th February).
 Milk-cooler; A. Gardiner and E. Stephens; 27294, 14th February; (22, 10th March).
 Milk-cooler; J. H. McLeod; 27180, 17th January.
 Milk-cooler; J. Galt and A. Fraser; 27425, 9th March.
 Milk cooler and aerator; S. Hardley; 27214, 27th January; (22, 10th March).
 Milk cooler and aerator; J. O. Jones; 27419, 12th March.
 Milk-jug; D. H. Young; 27383, 1st March; (27, 24th March).
 Milk-pasteurising apparatus; J. D. Hunter; 27224, 29th January; (18, 24th February).
 Milk eductor and releaser; W. Milne; 27436, 16th March.
 Milk releaser and conveyor; R. S. Maunders; 27401, 9th March; (27, 24th March).
 Milking-machine; K. I. Lindstrom; 26481, 26th August, 1909; (8, 27th January).

ALPHABETICAL LIST OF INVENTIONS—*continued.*

Milking-machine; W. H. Lawrence and R. Kennedy; 27046, 15th December, 1909; (14, 10th February).
 Milking-machine; T. Kidd; 27293, 11th February.
 Milking-machine; R. Kennedy and W. H. Lawrence; 27410, 10th March.
 Milking-machine claw; J. B. MacEwan & Co. Limited; 27145, 12th January; (8, 27th January).
 Milking-machine pulsator; J. E. Metzenthin; 27119, 6th January; (8, 27th January).
 Milking-machine pulsator; F. G. Willcocks; 27280, 10th February; (18, 24th February).
 Milking-machine pulsator; Ridd Milking Machine Company, Limited, 27337, 21st February; (22, 10th March).
 Milking-machine pulsator; A. Ridd; 27457, 23rd March.
 Milking-machine pulsator, slide reversing-device; T. T. Sabroe; 27366, 1st March.
 Milking-machine teat-cup; T. T. Sabroe; 27075, 21st December, 1909; (14, 10th February).
 Milking-machine teat-cup; K. M. Stevens; 27138, 11th January; (8, 27th January).
 Milking-machine teat-cup; A. Ridd; 25683, 12th March, 1909; (18, 24th February).
 Milking-machine teat-cup; F. G. Willcocks; 27459, 23rd March.
 Milking-machine teat-cup holder; A. Huber; 27397, 8th March.
 Mono-rail (see Railway, mono-rail).
 Motor; W. T. Howse; 27181, 18th January; (18, 24th February).
 Motor; J. P. Dornbush; 27317, 18th February; (22, 10th March).
 Motor-car; J. W. Grieve; 27352, 24th February; (27, 24th March).
 Motor-car engine, utilising for power; A. J. Cotton; 26979, 2nd December, 1909; (27, 24th March).
 Motor-car wheel (see Wheel).
 Multiple-writing machine; J. C. Gardiner; 27314, 16th February.
 Music-holder; A. Simonson and G. King; 27287, 12th February; (18, 24th February, and 27, 24th March).
 Music-leaf turner; E. C. Hennequin; 27312, 19th February, 1909.
 Music-turner; J. W. Walker; 27388, 5th March; (27, 24th March).
 Necktie-holder; G. A. Ferguson and A. B. Hay; 26750, 15th October, 1909; (22, 10th March).
 Non-refillable bottle; L. W. Alexander and J. W. Hall; 27434, 12th March.
 Nozzle (see Sprinkler-nozzle).
 Nut-lock; Chipman, Limited; 27175, 19th January; (14, 10th February).
 Oil, lubricating; G. Turner; 27113, 5th January; (8, 27th January).
 Oil, producing from kauri soil; S. R. Trevor; 27318, 18th February; (22, 10th March).
 Ore-concentrator; E. Deister; 27198, 25th January.
 Ore-separator; W. M. Martin; 27210, 24th February, 1909.
 Ore-treatment; C. A. Stevens; 25874, 27th April, 1909; (22, 10th March).
 Ore-treatment; J. Jones and H. S. Bohm; 27330, 18th February; (22, 10th March).
 Ore-treatment; A. J. Arbuckle; 27335, 21st February; (27, 24th March).
 Packing (see Piston-rod packing).
 Paint-applying method; F. Andrews; 27482, 30th March.
 Paint-composition; F. Andrews; 27483, 30th March.
 Paper-bag machine; C. L. de Jersey; 27241; 3rd February.
 Paper-tube manufacture, conical; Mono-service Vessels Limited, 27480, 30th March; (37, 21st April).
 Paper-vessels; Mono-service Vessels, Limited; 27072, 21st December, 1909; (14, 10th February).
 Phonograph-trumpet attachment; S. F. Darragh; 27455, 23rd March; (37, 21st April).
 Photograph-printing apparatus; T. J. Pickering; 27277, 10th February; (18, 24th February).
 Picture-mount cutter; B. Wallis; 27168, 17th January; (18, 24th February).
 Pillar (see Concrete pillar).
 Pipe-attachment; J. N. Cook; 27114, 5th January; (14, 10th February).
 Pipe-conduit, producing intermittent motion in; K. I. Lindstrom; 27110, 4th January; (14, 10th February).
 Pipe joint or union; C. W. Seale; 27442, 18th March.
 Pipes, metal, manufacture of; E. E. Ries; 27237, 3rd February.
 Piston-rod, packing; J. S. Lawrie; 27445, 18th March; (37, 21st April).

ALPHABETICAL LIST OF INVENTIONS—*continued.*

Plough; G. Gray; 27389, 3rd March; (27, 24 March).
 Plough, securing skeith to beam; M. Earl; 27360, 26th February; (22, 10th March).
 Plough, steam; J. and H. McLaren; 27189, 19th January; (18, 24th February).
 Plough; P. and D. Duncan, Limited; 27258, 7th February; (18, 24th February).
 Plough, stump-jumping; W. Fisher; 27158, 13th January; (18, 24th February).
 Polish (see Leather-polish).
 Post-card, stereoscopic; H. C. Gore; 27142, 11th January.
 Potato digger and bagger; B. Widdowson; 27249, 4th February; (22, 10th March).
 Pot, &c., lid; H. J. G. Adamson; 27143, 12 January; (14, 10th February).
 Power-transmitter; G. Nielsen and T. J. Wilton; 27266, 8th February; (18, 24th February).
 Pressure device; H. Donner; 27441, 15th March; (37, 21st April).
 Preserving (see Fish-preserving).
 Preserving-jar; C. J. Nicklin; 27475, 29th March; (37, 21st April).
 Printing (see Photograph-printing apparatus).
 Propeller; F. H. Andrews; 27088, 24th January; (14, 10th February).
 Propeller; A. Worswick; 27405, 10th March.
 Propeller-lifeguard; E. A. Earnshaw; 27255, 3rd February; (18, 24th February).
 Pulveriser; G. A. Browne and P. C. Forrester; 27381, 2nd March.
 Pulveriser (see also Coal-pulveriser).
 Pump; S. T. Gelling; 27450, 22nd March; (37, 21st April).
 Pump-connection; H. B. Hughes; 27123, 8th January; (18, 24th February).
 Pump and siphon; L. G. Grace; 27166, 15th January; 14, 10th February.
 Pump-gearing; J. H. Saunders; 27264, 8th February; (18, 24th February).
 Pump-piston bucket; J. H. Saunders; 27263, 8th February; (18, 24th February).
 Pump, vacuum; W. H. Lawrence and R. Kennedy; 27001, 6th December, 1909; (14, 10th February).
 Pump, vacuum; R. Lambie, jun., and G. S. Edlin; 27246, 4th February; (18, 24th February).
 Pump, vacuum, hydraulic; W. Milne; 27472, 29th March.
 Pumping-engine; J. Hutchings; 25434, 12th January, 1909; (8, 27th January).
 Puncture-resisting material; G. Metcalfe; 27299, 14th February.
 Raft; R. G. Palmer; 25668, 8th March, 1909; (8, 27th January).
 Rail-cleaner (see Tram-rail cleaner).
 Railway-brake (see Brake).
 Railway-car running-gear; A. R. Angus; 25706, 18th March, 1909; (18, 24th February).
 Railway, mono-rail; T. B. Jacobsen; 27395, 4th March; (27, 24th March).
 Rasp (see File, &c.).
 Rat-trap for hawser; H. Worthington; 27135, 11th January; (8, 27th January).
 Refrigerator; O. Peez and K. Joosten; 27173, 17th January; (14, 10th February).
 Relief-block printing; J. V. Price; 27257, 8th February; (18, 24th February).
 Reinforced-concrete construction; R. W. de Montalk; 27213, 28th January; (14, 10th February).
 Rheumatism, cure for; S. Roche; 27194, 25th January; (18, 24th February).
 Rifle, automatic; G. Hammond and T. Darlington; 27196, 25th January; (18, 24th February).
 Rifle, repeating; R. Latham; 27230, 28th January; (22, 10th March).
 Rifle-sight; W. J. Clifford; 27146, 12th January; (14, 10th February).
 Rifle snapshot-recorder; F. Raper; 27225, 27th January.
 Road-construction, concrete; J. Wilson; 27316, 18th February.
 Road-surfacing; M. A. Popkess; 27269, 5th February; (18, 24th February).
 Roofing-tile (see Tile).
 Rotary engine (see Steam-engine, rotary).
 Rubber heel; C. W. Clayton; 27435, 16th March.
 Saddle-cloth cover and protector; D. H. Edgar; 26028, 2nd June, 1909; (8, 27th January).
 Safety valve (see Gas-valve).
 Sand-drift, preventing; J. W. Jackson; 27265, 8th February; (22, 10th March).
 Sash (see Window-sash).

ALPHABETICAL LIST OF INVENTIONS—continued.

Sash-lock (see Window-sash lock).
 Saucepan; G. Lang and M. McEwen; 27452, 22nd March; (37, 21st April).
 Scaffolding-bracket; H. C. Carrington; 26970, 16th February; (18, 24th February).
 Scoop (see Earth-scoop).
 Searing-appliance; E. Hale; 27416, 11th March.
 Seat; W. McLeod; 27229, 1st February; (18, 24th February).
 Secondary battery; J. Stone and Co., Limited; 27403, 27th March, 1909.†
 Seed cleaner and separator; J. Hanna; 25780, 31st March, 1909; (14, 10th February).
 Seed-sower; D. Stewart; 27193, 25th January.
 Separator; T. A. Low; 27112, 4th January; (14, 10th February).
 Sewing-machine, chain-stitch; S. W. Winslow; 25888, 28th April, 1909; (22, 10th March).
 Sheep-shearing machine; G. Massey; 27461, 23rd March; (37, 21st April).
 Sheep-shears, machine; T. O. Bennett; 25806, 8th April, 1909; (18, 24th February).
 Ships, preventing, sinking; T. Curtis; 27323, 15th February.
 Shirt-collar; J. D. Jensen and C. E. Holland; 27490, 14th September, 1909.†
 Shirt-collar attaching-device; R. Massey; 27358, 24th February; (27, 24th March).
 Ship, &c., sounding apparatus; C. Vowell; 27248, 3rd February.
 Shoe (see Boot).
 Shoe-machine (see Boot-machine).
 Shooting-decoy supporting-frame; L. Tubman; 27159, 13th January; (14, 10th February).
 Show-case clip; W. Hoyland; 27328, 19th February; (27, 24th March).
 Signal (see Signalling-apparatus, Sports-ground signal, Submarine-signal).
 Signalling-apparatus; W. W. Bicknell; 27292, 14th February; (27, 24th March).
 Signalling-lamp, shutter for; S. Waters; 27444, 18th March; (37, 21st April).
 Siphon and pump; L. G. Grace; 27166, 15th January; (14, 10th February).
 Skeith, axle (see Axle).
 Skiving-machine (see Leather-skiving machine).
 Skylight; A. W. Pirie; 27164, 15th January.
 Skylight; P. Hastings and G. Land; 27489, 31st March; (37, 21st April).
 Slide-rest (see Lathe-slide rest).
 Slide-valve for engine; E. Richardson and J. T. Marshall; 27272, 9th February.
 Smoke-consuming apparatus; C. T. Swanell; 27456, 23rd March; (37, 21st April).
 Snow-board; B. Beattie and G. Croxford; 25929, 11th May, 1909; (27, 24th March).
 Sole and heel protector; J. L. Neilson; 27289, 10th February; (22, 10th March).
 Solutions, recovering gold from (see Metals, precipitating, &c.).
 Sounding (see Submarine signal).
 Sounding-apparatus (see Ship sounding-apparatus, Well and mine sounding-apparatus).
 Spade, pronged; R. Robertson; 27488, 14th April, 1909.†
 Spark-arrester; G. H. B. Steele, A. H. Boulter, and J. Hargreaves; 27311, 16th February.
 Speed gear; R. Ogilvie; 27219, 31st January; (18, 24th February).
 Sports-ground signal; J. A. Beales and H. Marsden; 27275, 10th February; (22, 10th March).
 Spouting-bracket; J. W., S. jun., and C. E. Hardley; 27215, 27th January; (18, 24th February).
 Sprinkler-nozzle; C. Vacher; 27368, 1st March; (27, 24th March).
 Sprinkler-nozzle; C. Vacher; 27369, 1st March; (27, 24th March).
 Stamping, &c., machine; A. H. Wright; 27199, 25th January; (14, 10th February).
 Stamping, &c., machine; A. H. Wright; 27363, 25th February; (10, 22nd March).
 Stamping, &c., machine, ribbon-feed mechanism; E. Moss; 27415, 11th March.
 Staple (see Fencing-staple).
 Steam-engine, auto-gyral; F. Casey; 27201, 25th January, 1909.†; (22, 10th March).
 Steam-engine, rotary; W. Norgrove; 27217, 31st January; (22, 10th March).
 Steam-generator; C. A. Bettington; 27076, 21st December, 1909; (14, 10th February).
 Steam-generator; J. T. Hunter; 27340, 22nd February.
 Steam-generator, incrustation-preventer for; C. Neff and A. Brandes; 27454, 22nd March.
 Steam-superheater; W. Schmidt and P. Thomsen; 27438, 15th March; (37, 21st April).

ALPHABETICAL LIST OF INVENTIONS—continued.

Steaming-valve; F. J. McDonald; 27343, 23rd March.
 Step (see Tram-car step).
 Step-annunciator; H. L. Friend; 27412, 11th March; (37, 21st April).
 Step-ladder; D. Gilmour; 27283, 11th February; (18, 24th February).
 Stone (see Artificial stone).
 Stump-jumping plough (see Plough).
 Submarine-signal sounder; Submarine Signal Company; 27052, 15th December, 1909; (14, 10th February).
 Submarine-signal sounder; Submarine Signal Company; 27235, 1st February; (22, 10th March).
 Suction-light adapter (see Light-adapter).
 Swimming-device; H. L. Snow; 27485, 30th March.
 Swingletree-attachment; H. T. Hill; 27182, 18th January; (18, 24th February).
 Talking-machine; E. Nier and J. M. M. Ehmer; 27492, 1st May, 1909.†
 Tank-flange; S. V. Fulljames; 27205, 24th January; (18, 24th February).
 Tank, mineral-settling; A. J. Arbuckle; 27270, 9th February; (27, 24th March).
 Tap or cock; F. W. Gough; 27469, 24th March; (37, 21st April).
 Tea-can; P. J. Griffin and T. P. Eustege; 27380, 2nd March.
 Tea-infuser; J. P. Carmine; 27111, 4th January; (8, 27th January, * and 27, 24th March).
 Tea-strainer; J. S. Agnew; 27387, 2nd March; (27, 24th March).
 Teat-cup (see milking-machine teat-cup).
 Telegraph-printing device; D. Murray; 26826, 11th December, 1908.†; (14, 10th February).
 Telescope; K. Sutherland; 27252, 5th February; (18, 24th February).
 Telephone-box, soundproof; W. H. and J. Colwill; 26083, 16th June, 1909; (8, 27th January).
 Telephone system; American Automatic Telephone Company; 27259, 5th February; (22, 10th March).
 Threshing-mill belt-reel (see Belt-reel).
 Throwing and securing apparatus; H. H. Wallace; 27262, 8th February; (18, 24th February).
 Tile, roofing; J. Stanford; 27185, 20th January; (14, 10th February).
 Timber-preserving (see Wood-preserving).
 Tin-opener; A. G. Tomkies; 27423, 9th March.
 Tire; M. G. Dodwell; 26060, 11th June, 1909; (27, 24th March).
 Tire, pneumatic; F. Doherty and W. J. Robbins; 27161, 14th January; (14, 10th February).
 Tire, pneumatic; A. M. Perry; 27165, 15th January.
 Tire, pneumatic; W. G. Y. Jones; 27409, 6th October, 1909.†
 Tire, pneumatic, preventing leakage in; J. N. Bailey; 27226, 12th February, 1909.†; (18, 24th February).
 Tire, pneumatic, repairing-device; W. H. Trengrove; 27470, 24th March.
 Tire, pneumatic; G. G. Johnston; 26559, 15th April, 1909.†; (18, 24 February).
 Tire-tread; P. Magnus; 27130, 11th January; (18, 24th February).
 Tow conveyer and separator; S. H. J. Brown and J. R. Hynes; 27139, 11th January; (8, 27th January).
 Tramcar destination-signal; H. Ashworth; 27432, 16th March.
 Tramcar life-guard; W. R. Bruce and F. Coutts; 26351, 8th August, 1908.†; (8, 27th January).
 Tramcar-step; R. Drummond; 27431, 16th March.
 Tram-rail cleaner; A. Gardner; 27402, 9th March.
 Tram-truck safety-catch; J. E. P. Cannell; 27288, 11th February; (22, 10th March).
 Tramway points, operating; A. N. Barnett and H. G. Finerty; 27117, 5th January; (8, 27th January).
 Trap, rabbit, &c.; Laidlaw and Gray, Limited; 27355, 22nd February.
 Trolley-pole; J. L. Kirkbride; 27359, 26th February; (22, 10th March).
 Trolley-pole, lowering; A. R. Christian and E. A. Reynolds; 27499, 24th March; (37, 21st April).
 Trolley-pole retriever; A. R. Christian and E. A. Reynolds; 27284, 10th February.
 Trolley-pole retriever; A. R. Christian and E. A. Reynolds; 27295, 11th February; (22, 10th March).
 Trolley-pole retriever; A. R. Christian and E. A. Reynolds; 27344, 19th February; (22, 10th March).
 Trolley-pole safety gear; W. Scott; 27321, 18th February; (22, 10th March).
 Tube-mill lining; S. S. Osborn; 25839, 16th April, 1909; (18, 24th February).
 Tunnel-ventilator; J. Bulte and G. Cottam; 27439, 16th March.
 Turbine; F. R. McLean; 27256, 7th February.

ALPHABETICAL LIST OF INVENTIONS—*continued.*

- Turbine, marine; E. Brown; 27104, 30th December, 1909; (14, 10th February).
- Turbine, steam or gas; E. Brown; 27103, 30th December, 1909; (14, 10th February).
- Turnip-thinner, &c.; T. E. O'Brien; 27468, 24th March; (37, 21st April).*
- Typewriter, &c., ribbon-feed mechanism; E. Moss; 27415, 11th March.
- Union-screw, for use on dredges; H. G. W. L. Noy; 27361, 25th February; (22, 10th March).*
- Vacuum-pump (see Pump, vacuum).
- Valve, fluid-retainer; A. V. Park; 27494, 20th May, 1909†; (37, 21st April).
- Valve (see also Steaming-valve).
- Variable-speed mechanism; G. Nielsen and T. J. Wilton; 27266, 8th February; (18, 24th February).*
- Vehicle-jack; J. Whall; 27487, 31st March; (37, 21st April).*
- Vehicle-locomotion recorder; F. Baumgaertner; 27279, 10th February.
- Vending-machine, automatic; N. R. Stiles; 27153, 12th January, 1909 †; (18, 24th February).
- Vending machine, cigar; F. C. Kainer; 27245, 17th March, 1909.†
- Venetian-blind (see Blind).
- Ventilator (See Window-ventilator, Tunnel-ventilator).
- Vinegar, manufacture from whey; Compagnie Française des Produits Lactes Société Anonyme; 27391, 4th March.
- Wall-plug; J. Mitchell; 27054, 18th December; (27, 24th March).
- Wardrobe; R. and F. E. May and A. W. Railton; 27273, 9th February; (18, 24th February).
- Wash-boiler, discharging water from; J. N. D. Burgess; 27327, 17th February; (22, 10th March).*
- Washing-machine; A. Fischer; 27147, 13th January; (14, 10th February).
- Water-closet flush; J. O. Suckling, A. H. Herbert, and E. Page; 27177, 19th January; (14, 10th February).*
- Water-closet flush; C. B. Monteath; 26716, 12th October; (18, 24th February).
- Water-closet flush; E. J. Chilton; 27393, 7th March; (27, 24th March).*
- Water-heater; G. Anderson, T. Pargeter, and E. Davis; 27106, 30th December, 1909; (18, 24th February).*
- Water-heater; G. G. Bell; 27300, 15th February.
- Water-heater, bath; Hannam's Limited; 25959, 20th May, 1909; (22, 10th March).
- Water-heater, bath; E. Schwer; 27460, 23rd March.
- Water-meter; E. N. Davies; 27408, 9th March.
- Water-motor; J. Laffey and D. L. Hutton; 27116, 4th January; (14, 10th February).
- Water-motor; H. F. Day; 27148, 13th January; (14, 10th February).
- Water-tank (see Cooler and Water-tank).
- Water-motor; H. A. Foote; 27464, 22nd March; (37, 21st April).*
- Water-wheel; W. A. McKay; 27208, 27th January; (18, 24th February).*
- Water-wheel bucket; J. C. Fraser; 27315, 18th February.
- Well and mine sounding-apparatus; C. Vowell; 27248, 3rd February.
- Well-boring appliance; G. L. Pearson; 25476, 21st January, 1909; (8, 27th January).
- Wheel; C. Clegg; 27371, 1st March; (27, 24th March).*
- Wheel, motor-car; H. Fannin; 27129, 10th January; (14, 10th February).*
- Wheel, road-vehicle; W. Wright; 26918, 23rd December, 1908 †; (22, 10th March).
- Wheel, road-vehicle; J. J. Stroud and R. F. Marshall; 27221, 27th January; (22, 10th March).*
- Wheel, road-vehicle, preventing shrinking, &c.; W. Smith; 27350, 21st February; (27, 24th March).
- White-lead, mixing; S. Winn; 27394, 7th March; (27, 24th March).
- Window; W. H. Frith; 27285, 12th February; (22, 10th March).*
- Window-casement hinge; B. H. Spencer; 27223, 1st February; (27, 24th March).
- Window-dressing apparatus; G. J. Richardson; 27466, 21st March.
- Window-fastener; J. Worsnop; 27354, 22nd February; (22, 10th March).*
- Window-sash; J. Mitchell; 27449, 19th March.
- Window-sash lock; T. H. Nelson and J. R. Hart; 27303, 15th February; (22, 10th March).*
- Window-ventilator; J. S. Kruskopf; 27291, 11th February; (22, 10th March).
- Wire-conductor hanger; A. E. Roots; 27392, 7th March; (27, 24th March).*

ALPHABETICAL LIST OF INVENTIONS—*continued.*

- Wire-strainer; E. H. Browne; 27261, 8th February; (18, 24th February).*
- Wire-strainer; P. H. Fergusson; 27353, 24th February; (27, 24th March).
- Wire-strainer; J. J. Keppel; 27307, 14th February; (37, 21st April).*
- Wire-strainer; W. R. Smyth; 27398, 8th March.
- Wire-tightener; W. P. S. Macgregor; 25822, 8th April, 1909; (18, 24th February).
- Wood-preserving; W. B. Chisolm; 27150, 16th February, 1909 †; (22, 10th March).
- Wool-classing chart; W. A. McNaught; 27400, 7th March.
- Wool-press; W. J. Cloudeley and B. L. Arrowsmith; 27500, 31st March.
- Writing-machine (see Multiple-writing machine).

Alphabetical List of Applicants for Registration of Trade Marks.

A LPHABETICAL List of Applicants for registration of Trade Marks for quarter ended 31st March, 1910 (including also applications lodged prior to but gazetted during such quarter). The first number and date are those of the application, the second those of the *Gazette*.

- Abraham, F., and Co., London, England; (42); 8621, 19th March.
- Aohard and Glotin (see M. Brizard and M. B. Glotin).
- Alabastine Company, British, Limited, London, England; (1); 8560, 8561, 8562, 15th February; 22, 10th March.
- Alcock and Co. Proprietary, Limited, Melbourne, Victoria; (50); 7806, 27th January; 22, 10th March.
- Andrews, F., Mercer, New Zealand; (1); 8633, 30th March; 37, 21st April.
- Ayson, W. S., Dunedin, New Zealand; (2); 8552, 12th February.
- Baillie, J., Carterton, New Zealand; (3); 7968, 28th April, 1909; 14, 10th February.
- Ball Bros. and Co., Sheffield, England; (7), (12); 8475, 8476, 4th January.
- Berger, J., Wellington, New Zealand (39); 8506, 19th January; 14, 10th February.
- Biesolt and Locke, Meissener Nahmaschinen fabrik in Meissen, Germany; (6); 7772, 6th January, 1909; 2, 13th January.
- Black, R. S., Dunedin, New Zealand; (13); 8544, 8th February; 18, 24th February.
- Boake, A., Roberts, and Co., Limited, London, England; (42); 8546, 9th February; 18, 24th February.
- Booker Tobacco Company, Lynchburg, United States, America; (45); 8622, 19th March.
- Bosch Magneto Company, Limited, London, England; (6); 8589, 4th March; 27, 24th March.
- Bosch Magneto Company, Limited, London, England; (6); 8590, 4th March.
- Brett Printing and Publishing Company, Limited, Auckland, New Zealand; (39); 8554, 8555, 14th February; 18, 24th February.
- British Anti-fouling Composition and Paint Company, Limited, London, England; (1); 8615, 12th March; 27, 24th March.
- Brizard, M. and another, "Aehard and Glotin," Bordeaux, France; (43); 8498, 18th January.
- Buffalo Specialty Company, Buffalo, United States America; (50); 7235, 25th March, 1908; 2, 13th January.
- Cameron, R. W., and Co., Wellington, New Zealand; (50); 8629, 24th March.
- Caravonica Cotton Company, Limited, London, England; (4); 8478, 4th January; 2, 13th January.
- Champion and Slee, Limited, London, England; (42); 8627, 8628, 24th March; 37, 21st April.
- Chemusche Fabrik, Dr. R. Scheuble, und Dr. A. Hochstetter, Tribuswinkel, Lower Austria; (3); 8493, 13th January; 8, 27th January.
- Clark, R. I. and Co. (Australasia), Limited, Sydney, New South Wales; (1); 8490, 8491, 8492, 13th January; 8, 27th January.
- Clark, R. I., and Co. (Australasia), Limited, Sydney, New South Wales; (1); 8514, 25th January; 14, 10th February.
- Clark, R. I., and Co. (Australasia), Limited, Sydney, New South Wales; (1); 8531, 1st February; 18, 24th February.
- Cole, F., Christchurch, New Zealand; (50); 8563, 16th February.
- Cotton, F. H., Christchurch, New Zealand; (50); 8526, 28th January; 14, 10th February.¶

APPLICANTS FOR REGISTRATION OF TRADE MARKS—*continued.*

Courvoisier Limited, Jarnac, France; (43); 8499, 18th January; 8, 27th January.
 Craig and Aitken, Sydney, New South Wales; (48); 8487, 13th January; 8, 27th January.
 Crockett and Jones, Northampton, England; (50); 8527, 8528, 1st February; 18, 24th February.

Davies, H. W., and Co., Wellington, New Zealand; (18); 8532, 2nd February; 22, 10th March.
 Delacour Bros., Limited, London, England; (50); 8489, 13th January; 14, 10th February.
 Dooley, M., Dunedin, New Zealand; (2); 8539, 4th February; 22, 10th March.
 Dooley, M., Dunedin, New Zealand; (3); 8581, 26th February; 22, 10th March.

Eagle Pencil Company, New York, United States America; (8), (12), (39); 8510, 8511, 8512, 25th January; 14, 10th February.
 Ellis and Manton, Wellington, New Zealand; (47); 8556, 14th February; 22, 10th March.
 Emery, J. M., Trentham, New Zealand; (50); 8616, 12th March; 27, 24th March.
 Evans, P. and S., and Co., Limited, Bristol, England; (37); 8529, 1st February.
 Extruded Metals Company, Limited, London, England; (5); 8635, 30th March; 37, 21st April.

Farr, F. W., Cogenhoe, England; (38); 8631, 29th March.
 Fassett and Johnson, London, England; (3); 8517, 26th January; 14, 10th February.
 Fassett and Johnson, London, England; (3); 8516, 26th January.
 Field and Co., Fruit-merchants, Limited, London, England; (42); 8533, 8534, 8535, 3rd February; 14, 10th February.
 Fletcher, Humphreys, and Co., Christchurch, New Zealand; (42); 8472, 8th January; 2, 13th January.
 Foster, McClellan Company, Sydney, New South Wales; (3); 8566, 8567, 8568, 17th February.
 Freeman, E. G., "The Irisilvic Company," Birmingham, England; (14); 8620, 18th March.
 Fritz Erle Gesellschaft, M. B. H., Cologne-Nippes, Germany; (42), (44); 8508, 8509, 19th January.
 Frood, H., Company, Limited, Chapel-en-le-Frith, England; (50); 8586, 1st March.

Gilberd, J. B., and Sons, Limited, Wanganui, New Zealand; (47); 8610, 10th March; 27, 24th March.
 Glotin, M. B., and another, "Achard and Glotin," Bordeaux, France; (43); 8498, 18th January.
 Gnosill, F., "J. Gnosill and Son," Walsall, England; (13); 8484, 13th January.
 Gnosill, J., and Son (see F. Gnosill).
 Goss, W. E., Perth, West Australia; (18); 8350, 9th March; 27, 24th March.

Harper, R., and Co., Proprietary, Limited, Melbourne, Victoria; (47); 8541, 4th February; 22, 10th March.
 Harper, R., and Co., Proprietary, Limited, Melbourne, Victoria; (42); 8540, 4th February; 37, 21st April.
 Hayman, P., and Co., Wellington, New Zealand; (9); 8505, 18th January; 14, 10th February.
 Hayman, P., and Co., Wellington, New Zealand; (9); 8557, 15th February; 22, 10th March.
 Heath, R., and Sons, Limited, London, England (5); 8143, 8144, 29th July, 1909; 2, 13th January.
 Henderson, W. P., Palmerston North, New Zealand; (48); 8547, 9th February; 22, 10th March.
 Hilbert, M., Hamburg, Germany; (44); 8503, 18th January; 14, 10th February.
 Hoboken (see Van Hoboken).
 Hochstetter, Dr. A. (see Chemusche Fabrik).
 Horner and Hogg, Nottingham, England; (38); 8374, 10th November, 1909; 22, 10th March.

Illingworth, W., Wellington, New Zealand; (2); 8596, 7th March.
 Imperial Light, Limited, London, England; (1); 8592, 5th March; 27, 24th March.
 Imperial Light, Limited, London, England; (18); 8593, 5th March.
 Irish Industrial Development Association, Incorporated, Cork, Ireland; (43); 8477, 4th January.
 Irisilvic Company (see E. G. Freeman).
 Irvine and Stevenson's St. George Company, Limited, Dunedin, New Zealand; (42); 8524, 27th January.

APPLICANTS FOR REGISTRATION OF TRADE MARKS—*continued.*

Joblin, E. J., Stratford, New Zealand; (2); 8473, 10th January.
 Johnson and Sons, Manufacturing Chemists, Limited, London, England; (1); 8634, 30th March.
 Jones, J. C., Christchurch, New Zealand; (3); 8482, 5th January.

King, N. H., Feilding, New Zealand; (48); 8569, 18th February; 22, 10th March.
 King, P., Auckland, New Zealand; (38); 8576, 21st February.
 Kingsley Service, Auckland, New Zealand; (50); 8626, 23rd March.
 Kyl-Fyre Limited, Eastbourne, England; (50); 8488, 13th January; 8, 27th January.

Leurent, E., Tourcoing, France; (34), (38); 8156, 8157, 3rd August, 1909; 22, 10th March.
 London Manufacturing Company (see J. M. Rayner).
 Lyra Lead Pencil Company, Nürnberg, Bavaria; (39); 8553, 12th February; 18, 24th February.

MacEwan, J. B., and Co., Limited, Wellington, New Zealand; (42); 8601, 9th March; 27, 24th March.
 MacEwan, J. B., and Co., Limited, Wellington, New Zealand; (42); 8617, 8618, 15th March.
 MacEwan, J. B., and Co., Limited, Wellington, New Zealand; (47); 8619, 18th March.
 MacLeod, D., and Co., Melbourne, Victoria; (3); 8564, 16th February; 27, 24th March.
 Marmite Food Extract Company, Limited, London, England; (42); 8520, 26th January; 14, 10th February.
 Mildenhall, T. J., Opunake, New Zealand; (37); 8632, 30th March; 37, 21st April.
 Milne and Choyce, Limited, Auckland, New Zealand; (47); 8582, 28th February; 27, 24th March.
 Moore, C., and Co., Limited, Heatley in Lymm, England; (42); 8530, 1st February; 18, 24th February.
 More, J. M., Melbourne, Victoria; (5); 8507, 19th January; 27, 24th March.
 Morgan Crucible Company, Limited, London, England; (16); 8624, 22nd March.
 Morrin, T. and S., Limited, Auckland, New Zealand; (6); 8630, 29th March; 37, 21st April.
 Munn, D., Hastings, New Zealand; (3); 8597, 8th March.
 Munro, J., and Son, Limited, Leith, Scotland; (43); 8559, 15th February.
 Murray, Roberts, and Co., Wellington, New Zealand; (2); 7813, 29th January, 1909; 18, 24th February.
 Myers, F. E., and Bro., Ashland, United States America; (6); 8549, 9th February; 18, 24th February.

Nathan, J., and Co., Limited, Wellington, New Zealand; (42); 8591, 4th March; 27, 24th March.
 National Drug and Chemical Company, of Canada, Limited; (3), (48); 8587, 8588, 3rd March; 37, 21st April.
 National Phonograph Company, Orange, United States America, (8); 8486, 13th January; 8, 27th January.
 National Phonograph Company, Orange, United States America; (8); 8594, 8595, 7th March; 27, 24th March.
 Neave, J. R., and Co., Fordingbridge, England; (42); 8228, 1st September, 1909; 8, 27th January.
 Nederlandsche Gist en Spiritusfabriek "Netherlands Distilleries," Delft, Holland; (15), (16), (39), (43); 8603, 8604, 8605, 8606, 10th March; 27, 24th March.
 Nobel's Explosives Company, Limited, Glasgow, Scotland; (20); 8485, 13th January.

Park, W., and Co., Wigan, England; (13); 8504, 18th January; 8, 27th January.
 Parnham, R. R., Auckland, New Zealand; (42); 8545, 9th February; 18, 24th February.
 Paterson, A. S., and Co., Wellington, New Zealand; (42); 8494, 17th January.
 Peerless Rubber Manufacturing Company, New York, United States America; (40), (50), (40), (50), (50); 8571, 8572, 8573, 8574, 8575, 19th February; 22, 10th March.
 Pidgeon, E. W., and Co, Limited, Christchurch, &c., New Zealand; (22); 8525, 28th January; 14, 10th February.

Rayner, J. M., "London Manufacturing Company," Auckland, New Zealand; (48); 8611, 11th March; 27, 24th March.
 Roberts (New Zealand) Limited, Wellington, New Zealand; (34); 8515, 26th January; 14, 10th February.
 Robertson, R., and Co., Vancouver, British Columbia; (42); 8550, 9th February.
 Rosenberg, A., London, England; (50); 8243, 9th September, 1909; 8, 27th January.

APPLICANTS FOR REGISTRATION OF TRADE MARKS—continued.

- Rowney, G., and Co., London, England; (39); 8577, 22nd February; 22, 10th March.
- Rowntree and Co., Limited, York, England; (42); 8599, 9th March; 27, 24th March.
- Rutter, I., and Co., Mitcham, England; (45); 8637, 31st March.
- “Sarotti” Chokoladen- and Cacao Industrie Aktiengesellschaft, Berlin, Germany; (42); 8259, 20th September; 2, 13th January.
- Scheuble, Dr. R., (see Chemusche Fabrik, &c.).
- Schweppes, Limited, Sydney, New South Wales; (44), (42), (44); 8479, 8480, 8481, 4th January; 18, 24th February.
- Sharland and Co., Limited, Auckland and Wellington, New Zealand; (3); 8551, 11th February; 22, 10th March.
- Shorland, J. O., “J. O. Shorland and Co.”, Wellington, New Zealand; (22), (40); 8522, 8523, 27th January; 14, 10th February.
- Shorland, J. O., and Co. (see J. O. Shorland).
- Smith, W. H., and Son, London, England; (39); 8558, 15th February.
- Spring, E. W., London, England; (12); 8600, 9th March; 27, 24th March.
- Steeds, F. A., Christchurch, New Zealand; (3); 8636, 31st March; 37, 21st April.
- Stevens, C. R., and Son, Napier, New Zealand; (22); 8614, 11th March.
- St. Neots Paper Mill Company, St. Neots, England; (39); 8625, 22nd March.
- Suchard Société Anonyme, Neuchâtel, Switzerland; (42); 8495, 8496, 8497, 18th January.
- Swift and Co. (see F. G. Swift).
- Swift, F. G. “Swift and Co.”, Sydney, New South Wales; (42); 8580, 24th February; 22, 10th March.
- Taieri and Peninsula Milk-supply Company, Limited, Dunedin, New Zealand; (42); 8500, 18th January; 8, 27th January.
- Taieri and Peninsula Milk-supply Company, Limited, Dunedin, New Zealand; (42); 8501, 18th January; 14, 10th February.
- Tingey, S. St. C. and R. L., Wellington, New Zealand; (3); 8578, 22nd February; 22, 10th March.
- Tompkins, R., Christchurch, New Zealand; (38); 8579, 23rd February.
- Tootal, Broadhurst Lee Company, Limited, Manchester, England; (25); 8419, 26th November, 1909; 14, 10th February.
- Travers, J., and Sons, Limited, London, England; (42); 8518, 8519, 26th January.
- Triumph Cycle Company, Limited, Coventry, England; (22); 8513, 25th January; 18, 24th February.
- Union Oil, Soap, and Candle Works, Auckland, New Zealand; (50); 8542, 5th February.
- Union Oil, Soap, and Candle Company, Auckland, New Zealand; (50); 8570, 18th February.

APPLICANTS FOR REGISTRATION OF TRADE MARKS—continued.

- Usher, A., and Co., Edinburgh, Scotland; London, England; (43); 8548, 9th February; 18, 24th February.
- Usine de Désargentation Société Anonyme Hoboken-lez-Anvers, Belgium; (2); 8521, 26th January; 27, 24th March.
- Van Hoboken, A., and Co., Rotterdam, Holland; (43); 8502, 18th January; 14, 10th February.
- Venesta Limited, London, England; (50); 8612, 11th March; 27, 24th March.
- Viekery, P. H., Invercargill and Gore, New Zealand; (40), (22); 8474, 8483, 11th January; 8, 27th January.
- Virol, Limited, London, England; (3); 8538, 3rd February; 14, 10th February.
- Weingarten Bros., Incorporated, New York, United States America; (50); 8202, 19th August, 1909; 14, 10th February.
- Western Clock Manufacturing Company, La Salle, United States America; (10); 8609, 10th March; 27, 24th March.
- Whittle, T. W., Christchurch, New Zealand; (50); 8536, 3rd February; 18, 24th February.
- Whittome, Stevenson, and Co., Limited, Auckland, New Zealand; (42); 8543, 7th February; 18, 24th February.
- Wilkinson and Alabone, Christchurch, New Zealand; (38); 8584, 1st March.
- Williams, W., and Sons, Limited, Aberdeen, Scotland; (43); 8583; 1st March.
- Wilson, Balk, and Co., Dunedin, New Zealand; (42); 8598, 9th March; 27, 24th March.
- Wilson, J. C., Auckland, New Zealand; (1); 8565, 17th February.
- Woodville Bacon Company, Limited, Woodville, New Zealand; (42); 8585, 2nd March.
- Woodville Bacon Company, Limited, Woodville, New Zealand; (42); 8602, 9th March; 37, 21st April.
- Woolsey, C. A., Paint and Colour Company, Jersey City, United States America; (1); 8537, 3rd February; 18, 24th February.
- Wright and Co. (see E. Wright).
- Wright, E., “Wright and Co.”, Christchurch, New Zealand; (44); 8623, 19th March.

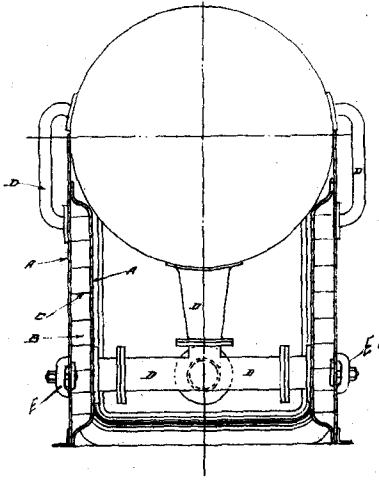
Alphabetical List of Applicants for Registration of Designs.

ALPHABETICAL list of applicants for registration of designs for the quarter ended 31st March, 1910. The numbers in parentheses are those of the classes, the next number and date are those of the application, and the final number and date those of the *Gazette*.

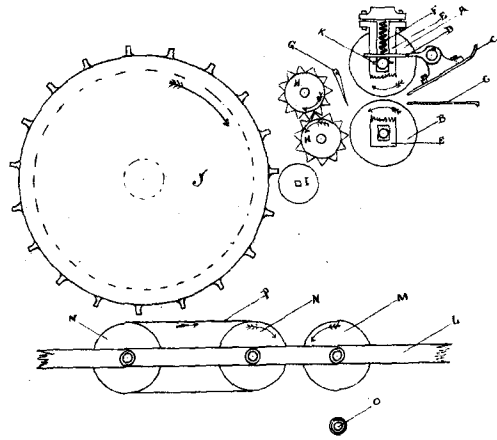
- Jenkin, W. J., Christchurch, New Zealand; (3); 502, 15th February; 22, 10th March.
- Jupp, W., Wellington, New Zealand; (3); 501, 18th February; 22, 10th March.
- Stanley Mullen Proprietary, Limited, Melbourne, Victoria; (5); 500, 20th January; 18, 24th February.

ILLUSTRATIONS OF INVENTIONS.

[These illustrations refer to the complete specifications accepted, and advertised in this *Gazette*.]



Fire-box. Boiler. Morris and Hambleton. 25810.



Flax-dresser. Suttie and Wynyard. 25818.

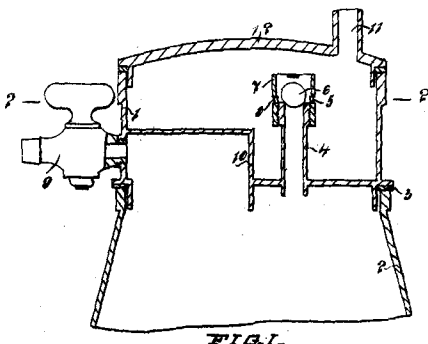


FIG. 1.

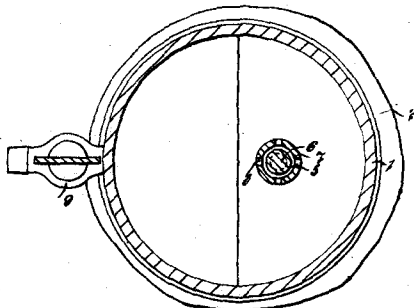


FIG. 2.

Milking-machine. J. B. MacEwan and Co. (Limited). (Robertson.) 25905.

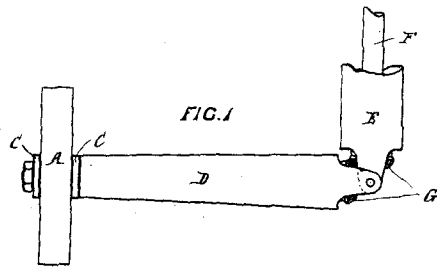


FIG. 1

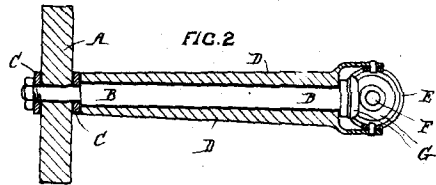


FIG. 2

Chaff-cutter-knife Sharpener. Gibbs and Bowman. 26049.

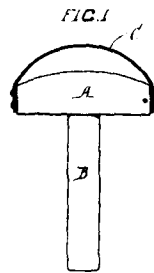


FIG. 1

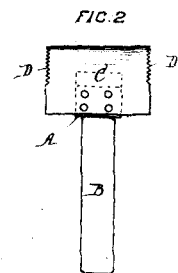


FIG. 2

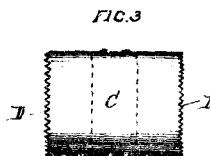
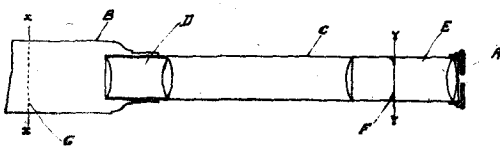
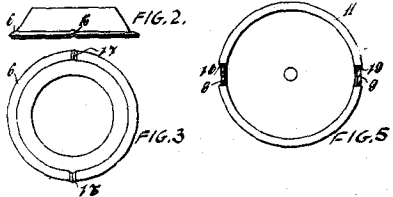
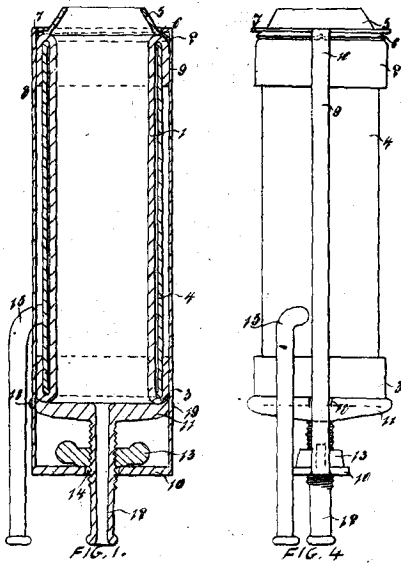


FIG. 3

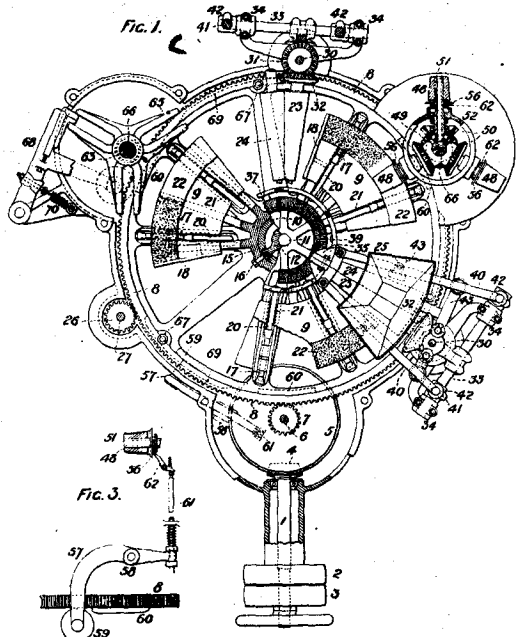
Fish-scaler. Tucker. 26179.



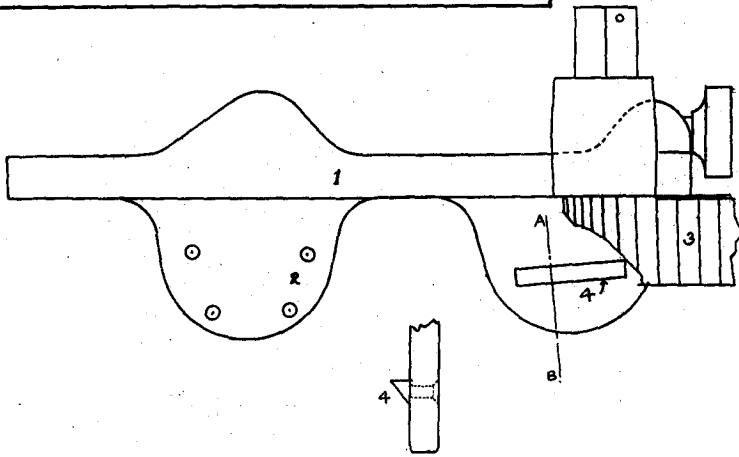
Optical instrument. Rich. 26672.



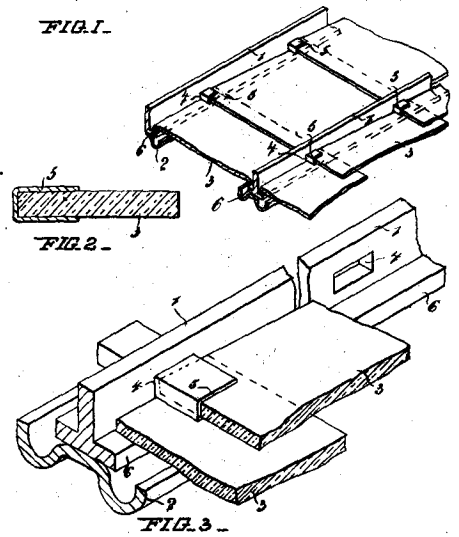
Milking-machine Test-cup. Honeyfield. 26952.



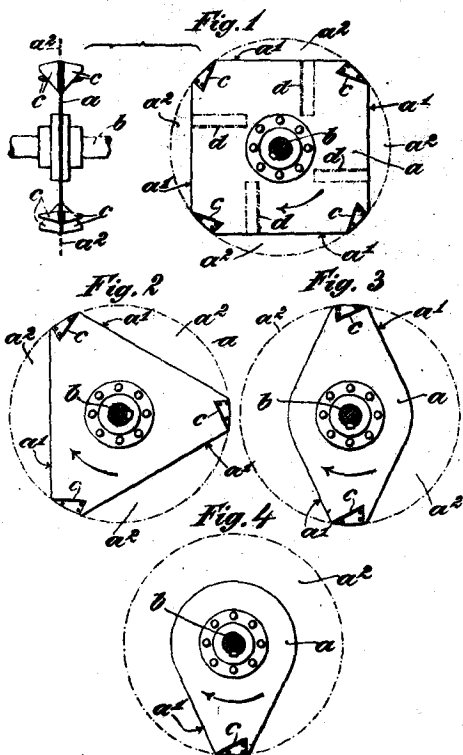
Paper-tube Machine. Mono Service Vessels (Limited) (Taylor.) 27480.



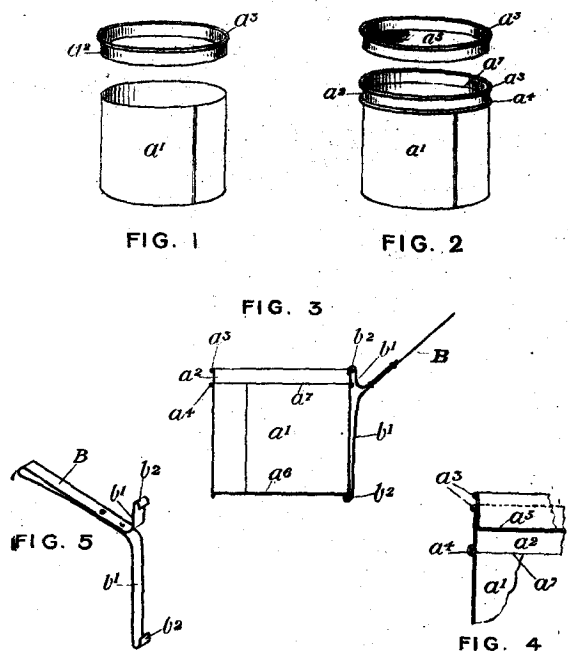
Flooring-cramp. Craddock. 27370.



Skylight. Hastings and Land. 27489.



Cultivating-machine. Koszegi and Szechenyi. 27479.



Saucepan. Lang and McEwen. 27452.

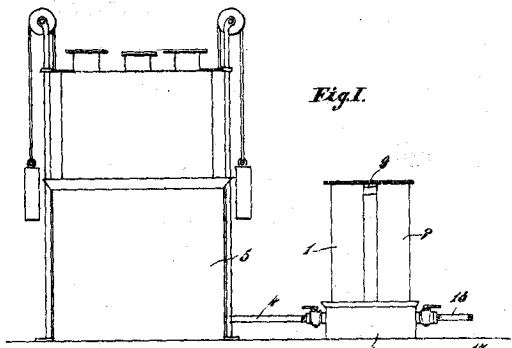


Fig. 1.

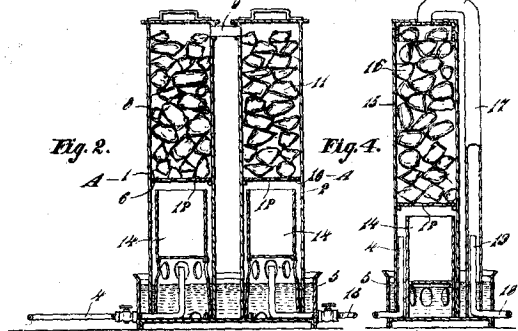


Fig. 2.

Fig. 3.

Fig. 4.

Acetylene-gas Drier. Davies. 27474.

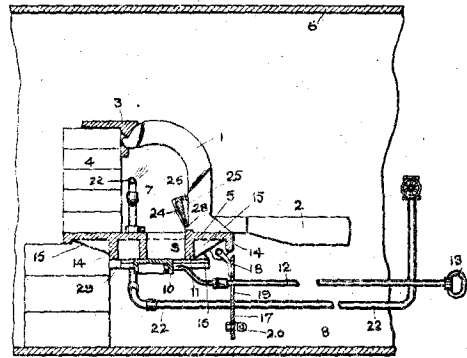


Fig. 1.

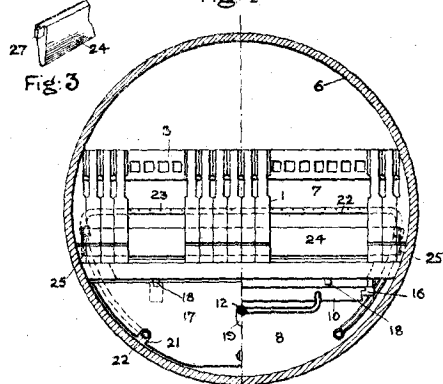


Fig. 3.

Fig. 2.

Smoke-consumer. Swanell 27456.

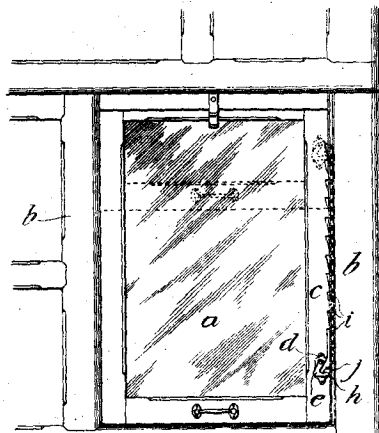


Fig. 1.

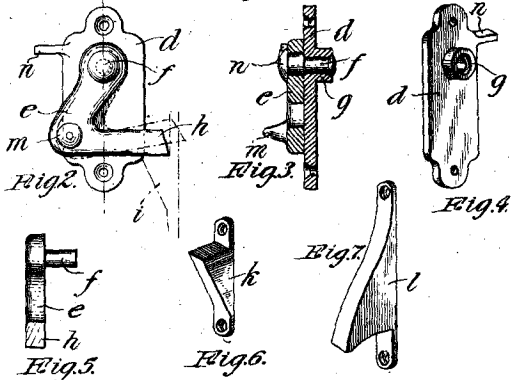


Fig. 2.

Fig. 3.

Fig. 4.

Fig. 5.

Fig. 6.

Fig. 7.

Window, &c., Catch. Shepherd. (Robb and Skertchly.) 27496.

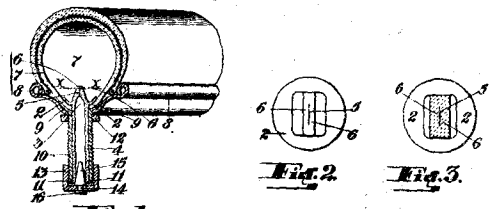


Fig. 1.

Fig. 2.

Fig. 3.

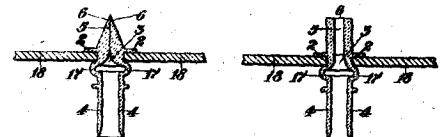


Fig. 4.

Fig. 5.

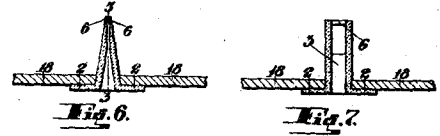


Fig. 6.

Fig. 7.

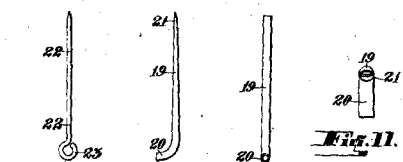


Fig. 8.

Fig. 9.

Fig. 10.

Fig. 11.

Valve. Park. 27494.

